

THE LEADER  
IN FLUSH MOUNTING  
SINCE 1987

ULTRA - 164

"SOFT TURN" ANTI-JAMMING TECHNOLOGY  
"TOP ENTRY" REMOVABLE BALL



FIND OUT MORE



ULTRA  
Version with external control



164 Threaded

164 MULTI-CLAMP  
With connections for multi-layer pipes

164 PP-R

**APPLICATIONS**

- For hot and cold drinking water.
- For cooling and heating water with or without antifreeze.
- For masonry and plasterboard constructions.
- For compressed air.

**TECHNICAL DATA**

Temperature	+5 °C ÷ +95 °C PP-R version +70 °C
Pressure	PN 10 (10 bar)
Connections	Fastec EN 10226-1 R/Rp thread Multi-clamp (multi-layer pipes) PP-R (PP-R pipes)
Reference standards	DIN EN 13828 W570-1 KTW-BWGL ACS PZH

**FEATURES**

- **Flush-mounting water shut-off ball valves.**
- **"Soft Turn" anti-jamming technology** to ensure jam-free operation even after long periods of inactivity without the need for periodic activation.
- **"Top Entry":** ball and seals can be replaced after the valve has been installed.
- **Full-flow ball**, DN 15-20-25.
- Internal rinsing system that **prevents dangerous water stagnation** in accordance with the strict German legionella regulations.
- The ULTRA range adapts to the installation depth with the need for extensions.
- **Wide range of control accessories** that integrate into the design of the environment.
- Different connection types: **FASTEC®** - threaded - with multilayer connections - for PP-R pipes.



## 164 FLUSH-MOUNTING "TOP ENTRY" BALL VALVE



### 164 threaded version



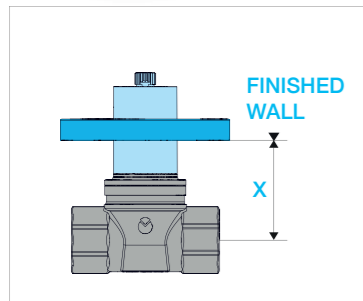
**Includes:**

- 1 valve with removable ball
- Site protection cover

**Does not include:**

- Control accessories

Code	DN	Connections Threaded	Finished wall		Pack
			X MIN	X MAX	
I4T3911100	DN15	Rp 1/2"	26mm	54mm	30
I4T4911100	DN20	Rp 3/4"	29mm	57mm	20
I4T5911100	DN25	Rp 1"	39mm	69mm	5



### 164 MULTI-CLAMPS version for multi-layer pipes



NEW

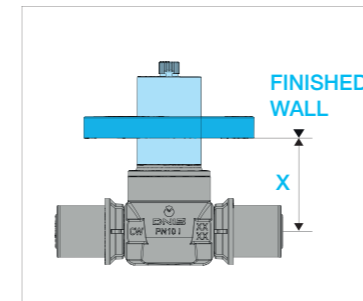
**Includes:**

- 1 valve with removable ball
- Site protection cover

**Does not include:**

- Control accessories

Code	DN	Connections Pipe Ø x Thickness	Finished wall		Pack
			X MIN	X MAX	
I4P09B01100	DN8	16 x 2	25mm	53mm	20
I4P39B01100	DN15	20 x 2	26mm	54mm	20
I4P39B02100	DN15	26 x 3	26mm	54mm	20
I4P49B01100	DN20	32 x 3	29mm	57mm	5



### 164 version for PP-R pipes



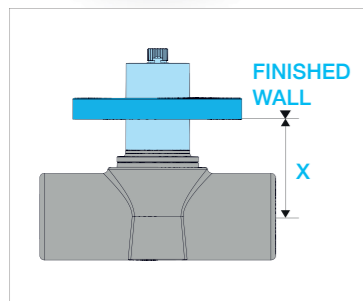
**Includes:**

- 1 valve with removable ball
- Site protection cover

**Does not include:**

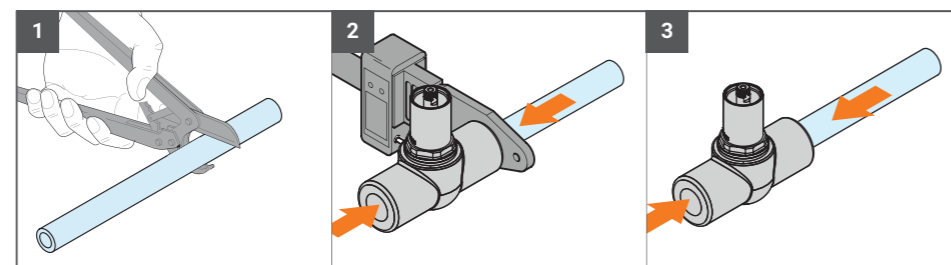
- Control accessories

Code	DN	Colour	Connections PP-R	Finished wall		Pack
				X MIN	X MAX	
I403981V00	DN15	●	Ø20	26mm	54mm	20
I403982V00	DN15	●	Ø25	26mm	54mm	20
I404981V00	DN20	●	Ø32	29mm	57mm	5

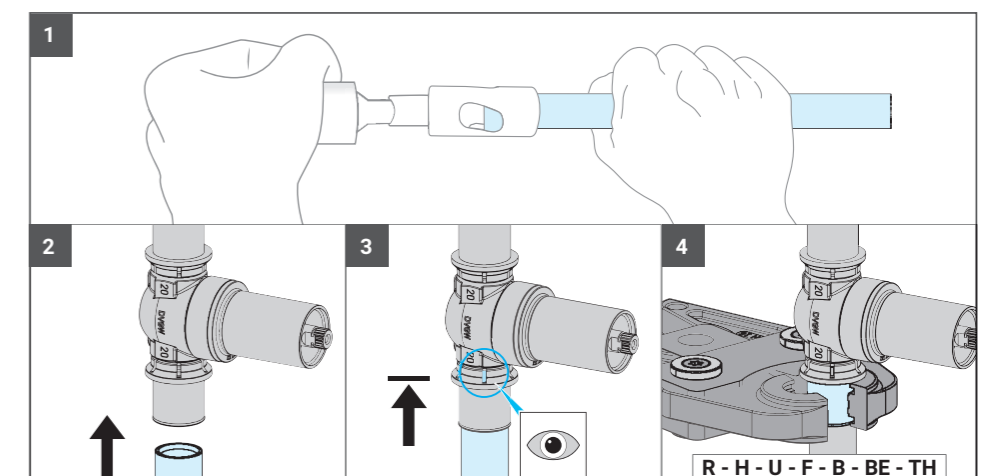
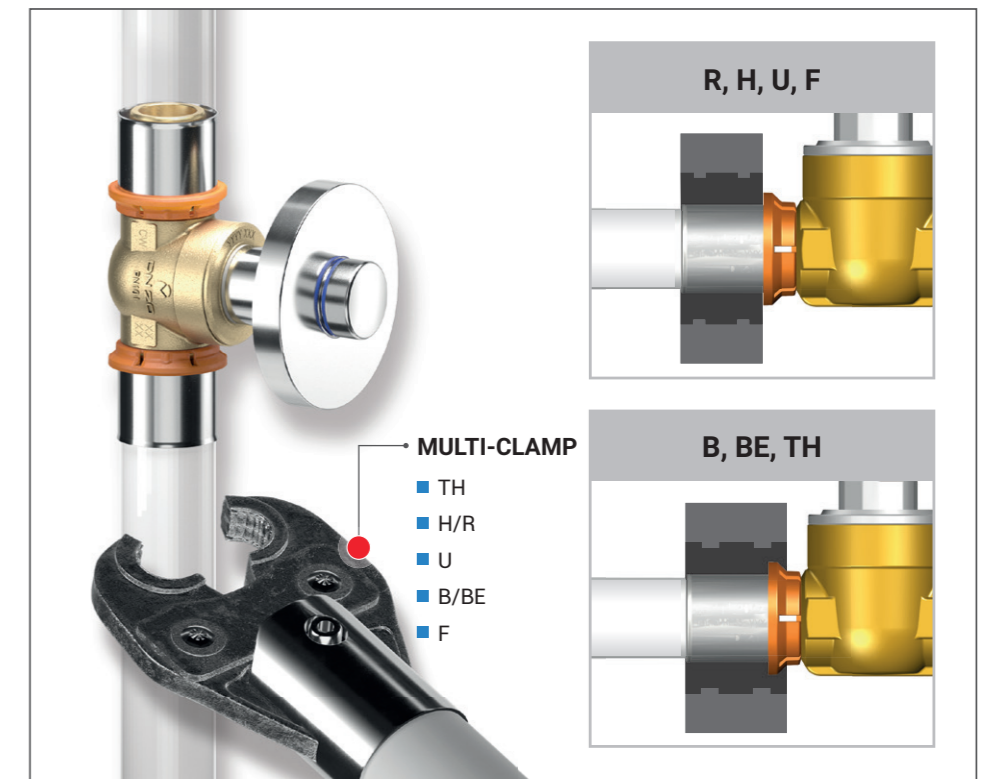


**i** Other colours available on request.

THE "TOP ENTRY" PP-R SERIES OF VALVES IS COMPATIBLE WITH ALL PP-R PIPES (Polypropylene Random Copolymer) MANUFACTURED IN ACCORDANCE WITH THE EN ISO 15874 STANDARD



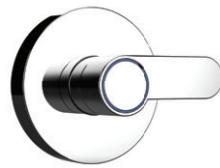
To make the connections quickly and correctly, it is essential to use tools that comply with the DVS2207 standards. The welding procedure must comply with the DVS2207-2208 joint standards.



**164 FLUSH-MOUNTING "TOP ENTRY" BALL VALVE**  
"CLASSIC" CONTROL ACCESSORIES



**Chrome-plated lever for 164**



**Dimensions:**  
Diameter 72 mm

Code	Finish	Pack
KAI4020000	Polished chrome	10

**Chrome-plated handle for 164**



**Dimensions:**  
Diameter 72 mm

Code	Finish	Pack
KAI4030000	Polished chrome	10

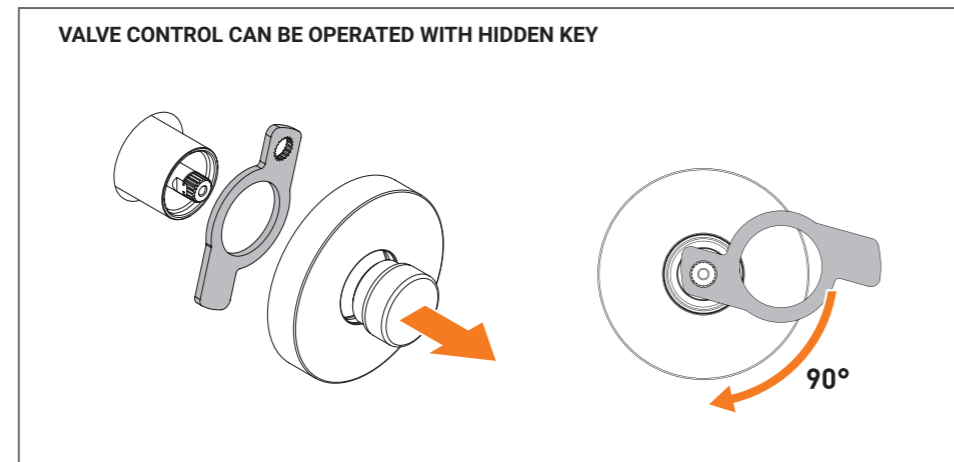
**Chrome-plated neutral rosette with key for 164**



**Dimensions:**  
Diameter 72 mm

**Includes:**  
• Key

Code	Finish	Pack
KAI4010000	Polished chrome	10



**164 FLUSH-MOUNTING "TOP ENTRY" BALL VALVE**  
ACCESSORI

**Extension for 164**

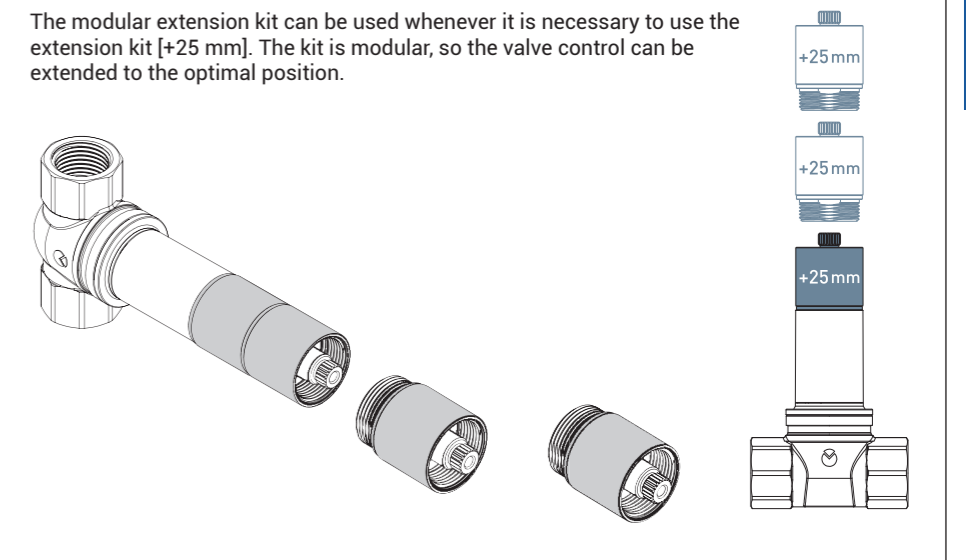


**Dimensions:**  
25mm

Code	Pack
I4095000	20

**MODULAR EXTENSION KIT**

The modular extension kit can be used whenever it is necessary to use the extension kit [+25 mm]. The kit is modular, so the valve control can be extended to the optimal position.



**Spare parts for 164**

See page 168 or visit the website for all product information.



**ULTRA FLUSH-MOUNTING "TOP ENTRY" BALL VALVE**  
WITH FLUSH CONTROL ACCESSORIES



**ULTRA threaded / FASTEC VERSION**



NEW DESIGN

**Includes:**

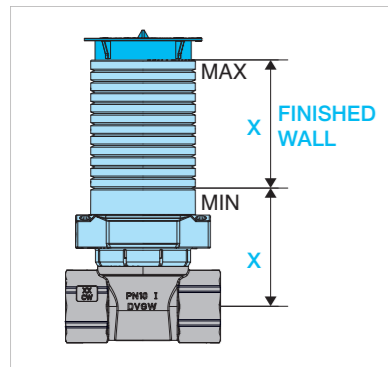
- 1 valve with removable ball
- Site protection cover
- Fixing bracket

**Does not include:**

- Control accessories U03
- Fastec fittings (page 76)

Code	DN	Connections		Finished wall		Pack
		FASTEC®	Threaded	X MIN	X MAX	
U4P3971100	DN15	F13	-	53mm	+ 60 mm	10
U4P3911100	DN15	-	Rp 1/2"	53mm		10
U4P4971100	DN20	F14	-	55mm		10
U4P4911100	DN20	-	Rp 3/4"	55mm		10

See page 76



**ULTRA version for PP-R pipes**



NEW

**Includes:**

- 1 valve with removable ball
- Site protection cover
- Fixing bracket

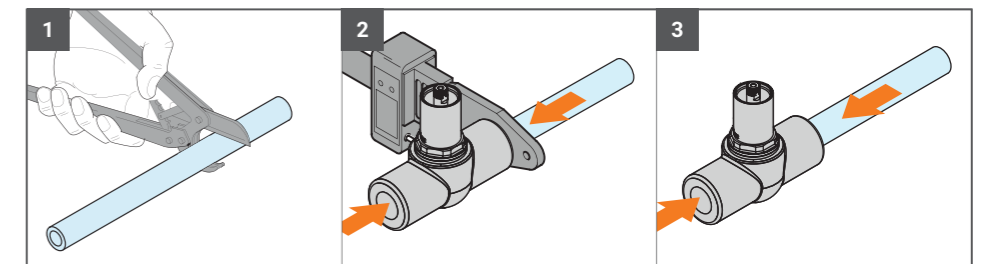
**Does not include:**

- Control accessories U03

Code	DN	Colour	Connections		Finished wall		Pack
			PP-R		X MIN	X MAX	
U4P3982V00	DN15	●	Ø20		53mm	112mm	20
U4P3981V00	DN15	●	Ø25		53mm	112mm	20
U4P4981V00	DN20	●	Ø32		55mm	115mm	20

i Other colours available on request.

THE "TOP ENTRY" PP-R SERIES OF VALVES IS COMPATIBLE WITH ALL PP-R PIPES (Polypropylene Random Copolymer) MANUFACTURED IN ACCORDANCE WITH THE EN ISO 15874 STANDARD



To make the connections quickly and correctly, it is essential to use tools that comply with the DVS2207 standards. The welding procedure must comply with the DVS2207-2208 joint standards.

**ULTRA "U" / FASTEC VERSION**



**Includes:**

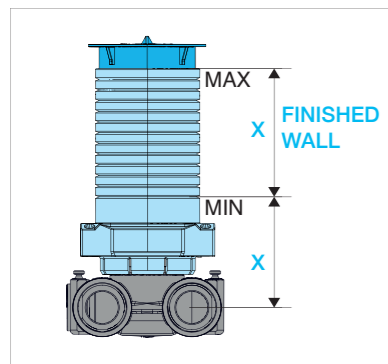
- 1 valve with removable ball
- Site protection cover
- Fixing bracket

**Does not include:**

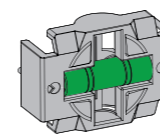
- Control accessories U03
- Fastec fittings (page 76)

Code	DN	Connections		Finished wall		Pack
		FASTEC®		X MIN	X MAX	
U4P3972100	DN15	F13		53mm	+ 60 mm	10

See page 76

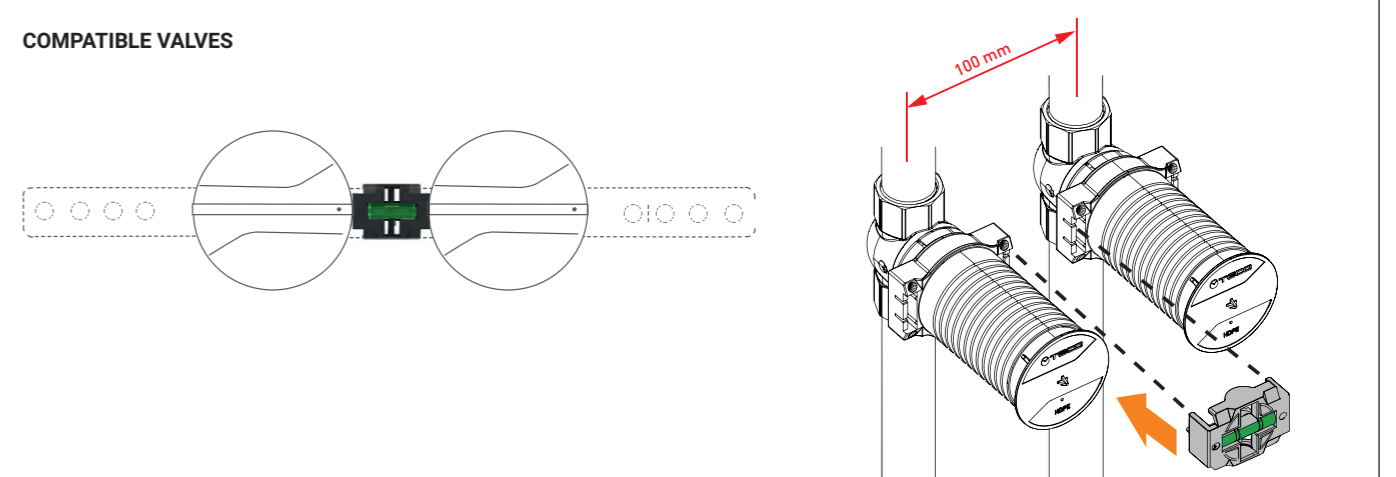


**Link for ULTRA**



Code	Description	Pack
KA00U40004	Valve connection kit with level	10

**COMPATIBLE VALVES**



**ULTRA FLUSH-MOUNTING "TOP ENTRY" BALL VALVE**  
WITH FLUSH CONTROL ACCESSORIES

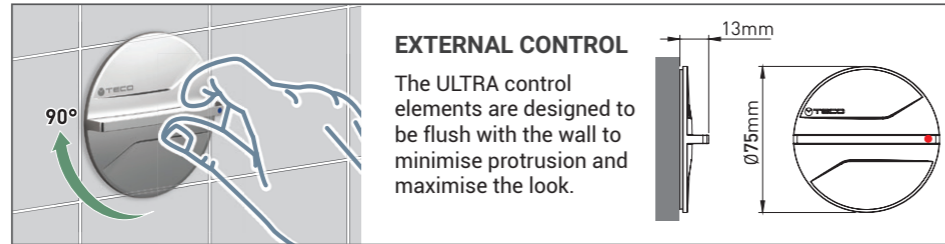


**U03 Flush control for ULTRA**

**EXTERNAL CONTROL**



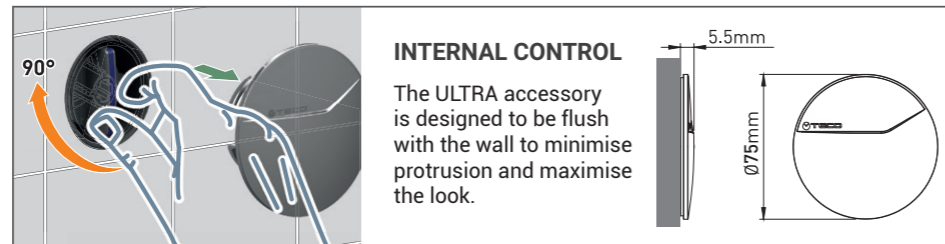
Code	Finish	Pack
UPLU0302600	○ White	10
UPLU0302M00	● Polished chrome	10
UPLU0302800	● Silver	4
UPLU0302A00	● Black Soft Touch	4



**INTERNAL CONTROL**



Code	Finish	Pack
UPLU0301600	○ White	10
UPLU0301M00	● Polished chrome	10
UPLU0301800	● Silver	4
UPLU0301A00	● Black Soft Touch	4



**Design or remedy frame for ULTRA**

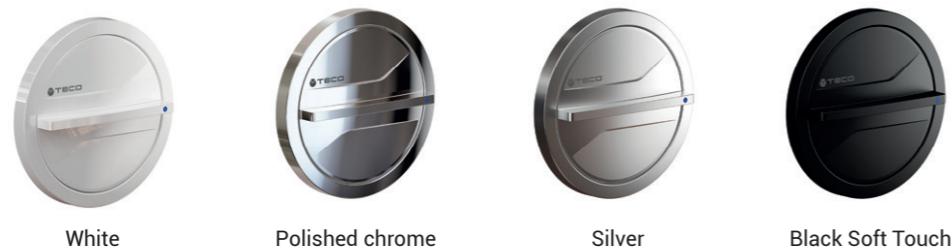


NEW

Diameter 90 mm

Code	Finish	Pack
KRPLU406001	○ White	4
KRPLU40M001	● Polished chrome	4
KRPLU408001	● Silver	4
KRPLU40A001	● Black Soft Touch	4

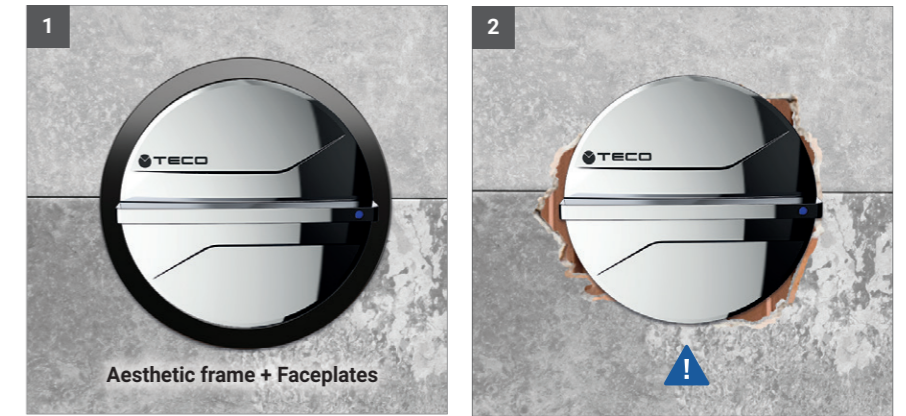
**Frame finishes:**



**FRAME APPLICATION EXAMPLES**

The frames available for the ULTRA flush-mounting valves can:

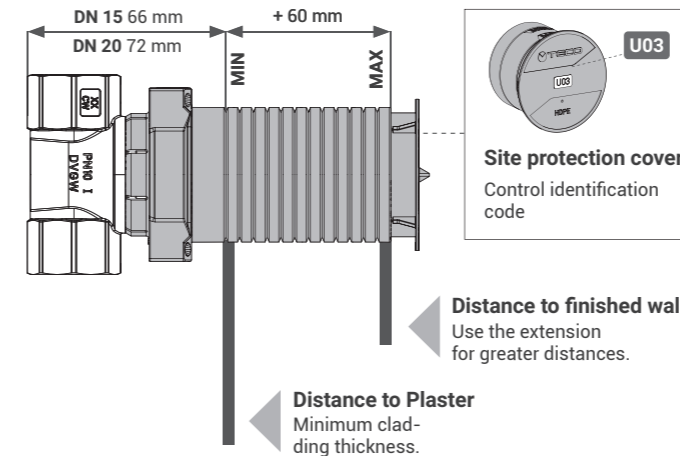
- offer multiple colour combinations to suit various environment styles.
- cover any imperfections in claddings.



**T-BOX**

The ULTRA valve can be installed correctly thanks to two adjustment options:

- using the fixing brackets.
- by cutting the site protection sleeve to size.



**Spare parts for ULTRA**

See page 169 or visit the website for all product information.



**FASTEC ADAPTERS AND FITTINGS**  
FOR ULTRA FLUSH-MOUNTING "TOP ENTRY" BALL VALVE



**Fastec adapters and fittings for ULTRA "Top Entry" flush-mounting ball valve**

**Fastec Fittings**

	Code	Description	Pack
	RF12210200	F13 90° F / F	10
	RF22220200	F14 90° F / F	10
	RF12210100	F13 90° M / F	10
	RF22220100	F14 90° M / F	10
	KA00F10001	Dual joint Twin F13 F / F / M	5
	KA00K00002	F13 Plug M	20
	KA00K00010	F14 Plug M	10
	RF12110400	F13 M L. 25 mm	10
	RF12110500	F13 M L. 50 mm	10
	RF12110600	F13 M L. 75 mm	8

**Threaded fittings**

	Code	Description	Pack
	KA00K00003	F13 M x R 1/2"	10
	KA00K00013	F13 M x R 3/4"	10
	KA00K00009	F14 M x R 3/4"	10
	KA00K00019	F14 M x R 1"	10
	RF12101000	F13 M x Rp 1/2"	10
	RF12111000	F13 M x Rp 3/4"	10
	RF12120100	F14 M x Rp 3/4"	10
	RF12120200	F14 M x Rp 1"	10
	RF122F0100	F13 M 90° x R 1/2"	10
	RF122F0200	F13 M 90° x Rp 1/2"	10
	RF12110900	SWIVEL NUT FLAT SEAL WITH O-RING F13 M x G 3/4"	10

R (male) and Rp (female) threaded connections in accordance with EN 10226-1 and G threaded connections in accordance with ISO 228-1.

**Fittings for PEX pipes**

	Code	Pipe Ø x Thickness	Pack
	RF12100100	F13 M 16 x 1.8	10
	RF12100200	F13 M 20 x 1.5	10
	RF12100300	F13 M 25 x 2.3	5
	RF13M1210301	F13 M 12 x 1.1	10
	RF13M1610301	F13 M 16 x 1.5	10
	RF13M2010301	F13 M 20 x 1.9	10
	RF13M1210401	F13 M 12 x 1.1	10
	RF13M1610401	F13 M 16 x 1.5	10
	RF13M2010401	F13 M 20 x 1.9	10

**Fittings for multi-layer pipes**

	Code	Pipe Ø x Thickness	Pack
	RF13M16101VA	F13 M 16 x 2.0	10
	RF13M16102VA	F13 M 16 x 2.25	10
	RF13M20101VA	F13 M 20 x 2.0	10
	RF13M20102VA	F13 M 20 x 2.5	10
	RF13M26101VA	F13 M 26 x 3.0	5
	RF14M26101VA	F14 M 26 x 3.0	5
	RF14M32101VA	F14 M 32 x 3.0	5
	511115MP	F13 M 16 x 2.0	5
	511116MP	F13 M 16 x 2.25	5
	511118MP	F13 M 20 x 2.0	5
	511119MP	F13 M 20 x 2.25	5
	511120MP	F13 M 20 x 2.5	5
	511121MP	F13 M 25 x 2.5	5
	511122MP	F13 M 26 x 3.0	5
	1651039	F13 M 16 x 2.0	10
	1651040	F13 M 20 x 2.0	10
	1651041	F13 M 26 x 3.0	5
	39342	F13 M 16 x 2.0	10
	39344	F13 M 20 x 2.0	10

**F13 Fittings with FASTEC connection available in manufacturers' catalogues**

COMISA PRESS	HENCO	APE raccorderie AP SERIES
Pipe Ø 16-20	Pipe Ø 16-20-26	Pipe Ø 16-20-26

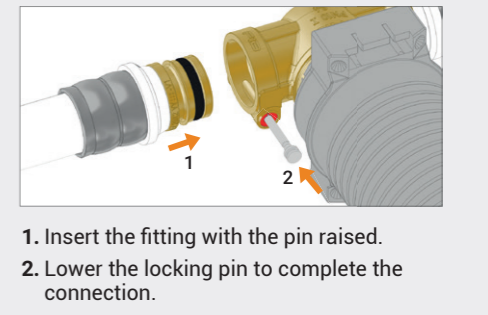
+GF+ ALUPEX EXPRESS	+GF+ JRG SANIPEX MT	TECE LOGO	TECE FLEX
Pipe Ø 16-20	Pipe Ø 16-20	Pipe Ø 20	Pipe Ø 16-20-25

**FASTEC®**  
THE FAST AND SECURE PLUMBING CONNECTION

Plumbing connection with pin locking (page 6).

**F13** DN 15 Equivalent to 1/2"

**F14** DN 20 Equivalent to 3/4"





### "Soft turn" anti-jamming ball valve

#### MAXIMUM CONTROL

ULTRA and 164 valves are equipped with a shut-off assembly, which ensures a low operating torque that remains constant over time, thanks to "Soft Turn" technology. The combination of the engineered polymer ball and specially designed seals ensures correct operation, even in the event of an emergency or when carrying out maintenance on the system.

#### BENEFITS

- The PPSU (engineered polymer) balls combined with the seals prevent adhesion of limescale and formation of deposits that could lead to jamming. These features ensure optimal operation even after long periods of inactivity without the need for periodic activation.
- Resistance to abrasion by impurities (sand).
- 100% compatible with drinking water.
- No water stagnation (DIN 13828 / W570-1).
- Chlorine resistant.

### Full flow

TECO full flow ball valves have a flow rate in line with EN 806-2 Paragraph 6.1.

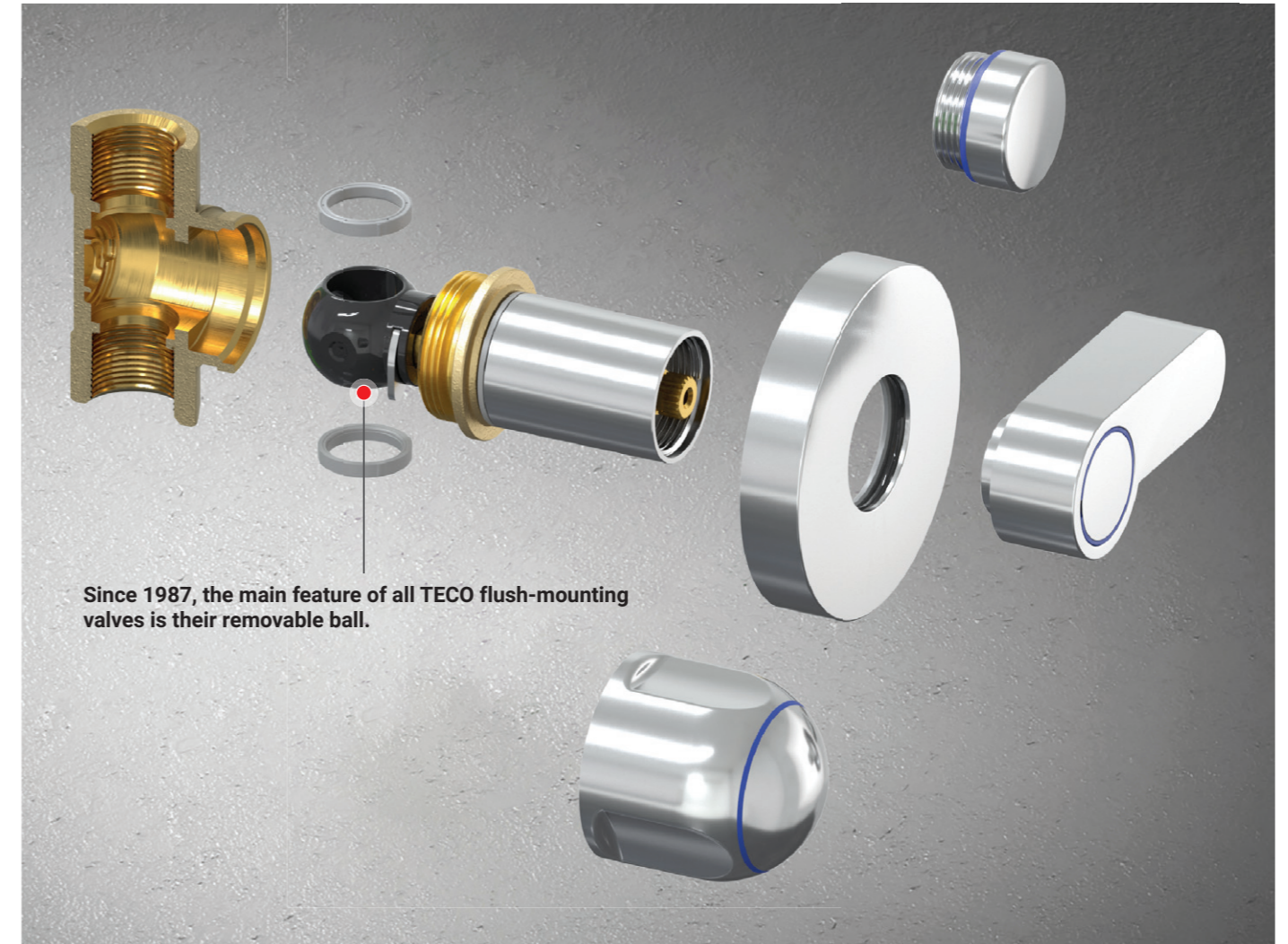


#### BENEFITS

- They have a low pressure drop.
- They can replace larger screw valves, as recommended by EN 806-2.



### The spare part that renews the "Top Entry" valve



Since 1987, the main feature of all TECO flush-mounting valves is their removable ball.

#### SINGLE-PIECE BODY

The single-piece body makes ULTRA and 164 valves very strong, which is essential as it is the only element secured to the pipes. Compatibility of spare parts is guaranteed thanks to a single-piece body that has **remained unchanged since 1987**.

"Top Entry" technology allows the ball and seals to be replaced after the valve has been installed, without any construction work.

Thanks to **the removable ball**, all ULTRA and 164 valves manufactured since 1987 **can be upgraded with the latest design accessories and technology** featuring anti-jamming and "Soft Turn".

**The spare parts are designed to ensure compatibility and availability.**

In addition to technological upgrading, TECO 164 and ULTRA series valves can also be upgraded aesthetically, thanks to the design accessories available in various finishes.

