

Main catalogue

Drinking water and heating installations

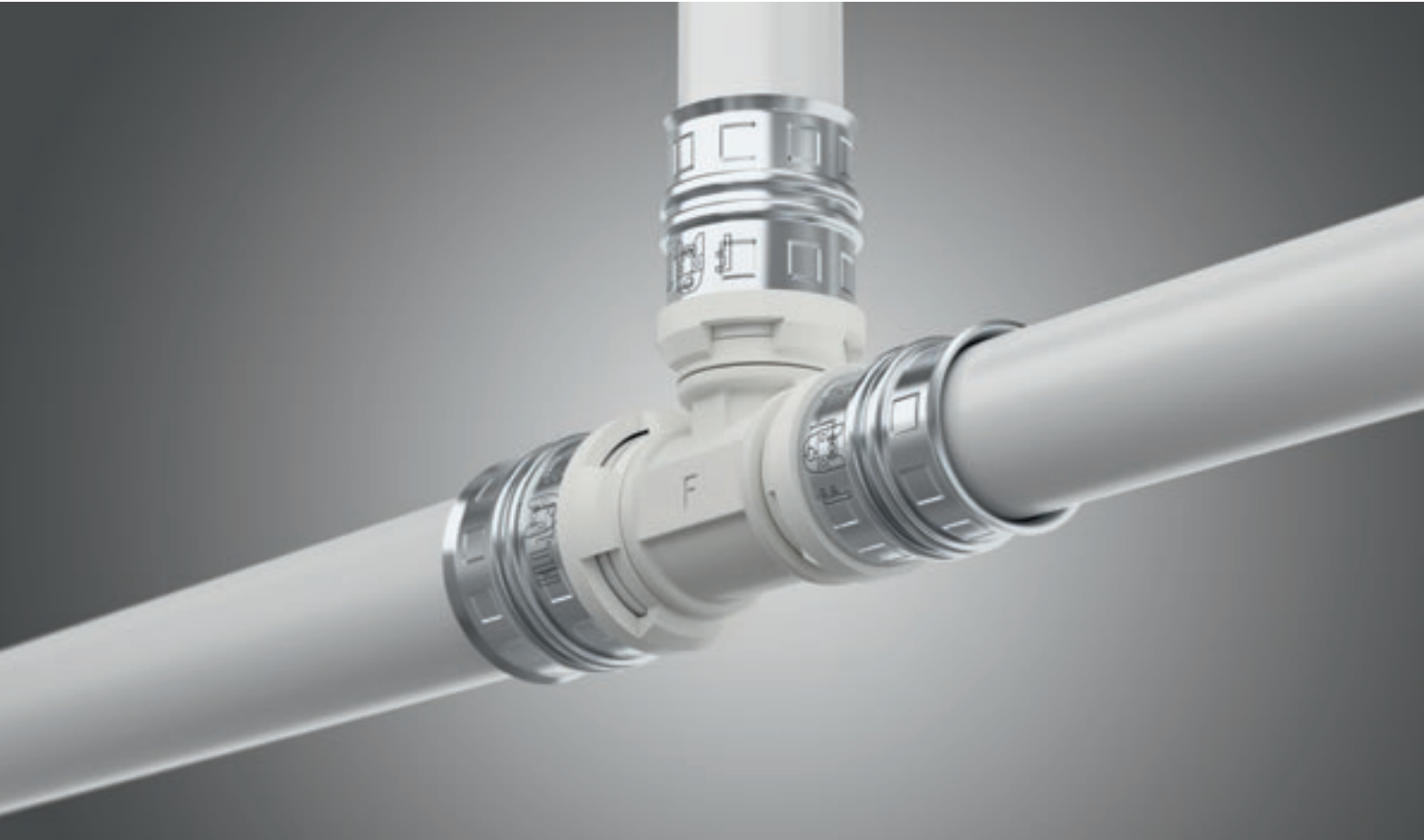


alpex-duo XS – alpex L – alpex-plus

2022

alpex-duo® XS

Drinking water and heating installations



eXtra Safety – easy, secure and future-proof fitting

- **Greater flow rate**
Up to 30 percent larger cross-sectional surface for lower pressure loss.
- **Secure connection**
The leak function shows if a fitting has been left unpressed.
- **Premium material quality**
PPSU – high-performance plastic and lead-free premium brass for hygienically impeccable installations.
- **No calibration**
Install in three simple steps: cutting – fixation – pressing.
- **Easy identification**
Its unique laser engraving shows the possible two contours (F and TH) at a glance.

Table of contents

General information	4
alpex and turatec multilayer composite pipes	5
alpex-duo XS and alpex L fittings	13
alpex-plus push-fittings	45
alpex tools	63
ff-therm and profitherm solid plastic pipe system	69

General information

alpex pipe dimensions

DN			12	15	20	25	32	40	50	65
Outside diameter	D	[mm]	16	20	26	32	40	50	63	75
Wall thickness	th	[mm]	2.0	2.0	3.0	3.0	3.5	4.0	4.5	5.0
Inside diameter	d	[mm]	12	16	20	26	33	42	54	65
Water content		[l/m]	0.113	0.201	0.314	0.531	0.855	1.385	2.289	3.316

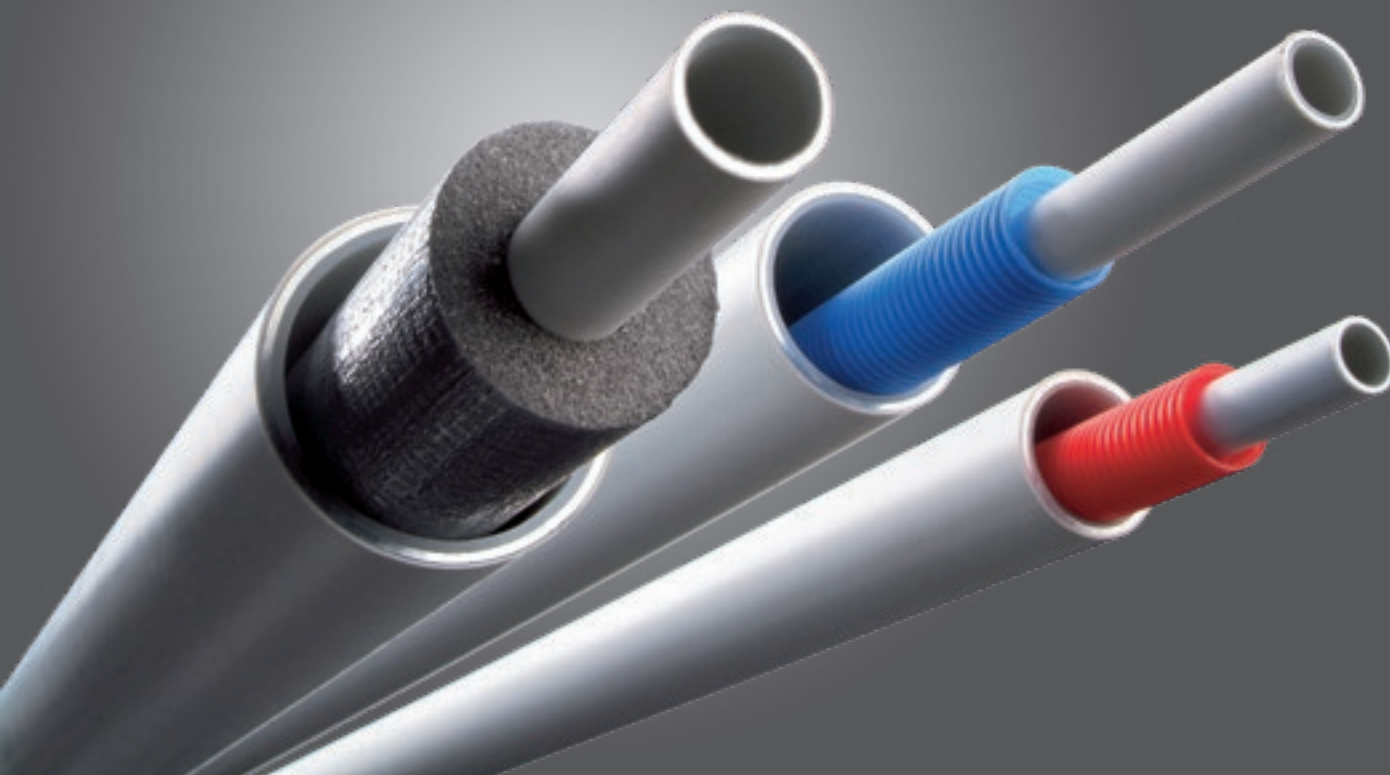
alpex material data

High-quality materials are used for drinking water installations:

	High-performance plastic PPSU	Lead-free dezincification-resistant brass CW724R	Dezincification-resistant brass CC770S
alpex-duo XS	✓	✓	
alpex-plus	✓	✓	
alpex L	✓		✓

General information on threads, dimensions and materials

Abbreviation	Meaning	According to
R	Male thread (conical)	DIN EN 10226-1
Rp	Female thread (cylindrical)	DIN EN 10226-1
G	Connection thread (cylindrical)	DIN EN ISO 228-1
DN	Nominal diameter	
NW	Nominal width	
MS	Brass	
PPSU	Polyphenylsulfone	
PA	Polyamid	
TPE	Thermoplastic elastomer	
D_a D_o	Outside diameter	
D_i	Inside diameter	



alpex/turatec multilayer composite pipes

- Permissible operating pressure at max. 10 bar
- Dimensions between 16 and 75 mm – an adequate multilayer pipe for each application
- Flexible combination with alpex press and push-fit fittings

alpex/turatec multilayer composite pipes

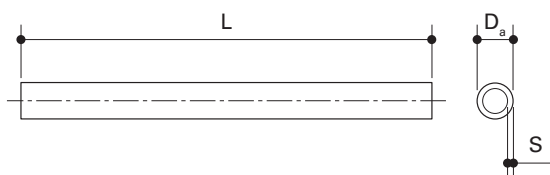
alpex-duo XS multilayer composite pipe, white



Multilayer composite pipe, colour: white, in straight lengths made of cross-linked polyethylene (PE-Xb) as inner surface, longitudinally butt-welded aluminium pipe, and polyethylene of raised temperature resistance (PE-RT) as outer surface for drinking water and heating system installations.

- Maximum constant operating pressure: 10 bar
- Maximum continuous operating temperature: 95 °C

Cat. no.	Description	D _a [mm]	S [mm]	L [m]	Weight [kg/bar]	QTY [m]
83516001	in straight lengths 16x2	16	2	5	0,61	75
83520001	in straight lengths 20x2	20	2	5	0,81	50
83526001	in straight lengths 26x3	26	3	5	1,46	25
83532001	in straight lengths 32x3	32	3	5	1,91	20



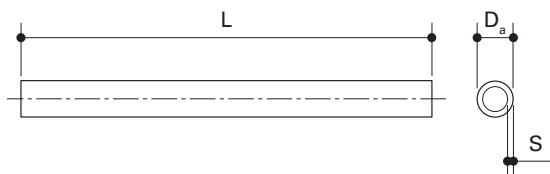
alpex L multilayer composite pipe, white



Multilayer composite pipe, colour: white, in straight lengths made of cross-linked polyethylene (PE-Xb) as inner surface, longitudinally butt-welded aluminium pipe, and polyethylene of raised temperature resistance (PE-RT) as outer surface for drinking water and heating system installations.

- Maximum constant operating pressure: 10 bar
- Maximum continuous operating temperature: 95 °C

Cat. no.	Description	D _a [mm]	S [mm]	L [m]	Weight [kg/bar]	QTY [m]
83540005	in straight lengths 40x3,5	40	3,5	5	2,83	25
83550005	in straight lengths 50x4,0	50	4	5	4,30	25
83563005	in straight lengths 63x4,5	63	4,5	5	6,36	15
83575005	in straight lengths 75x5,0	75	5	5	8,00	5



alpex/turatec multilayer composite pipes

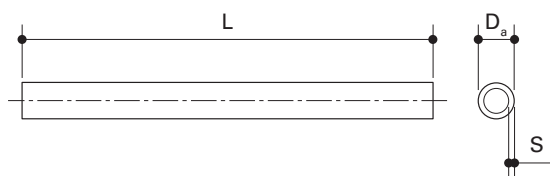


alpex-duo XS multilayer composite pipe, white

Multilayer composite pipe, colour: white, in coils made of cross-linked polyethylene (PE-Xb) as inner surface, longitudinally butt-welded aluminium pipe, and polyethylene of raised temperature resistance (PE-RT) as outer surface for drinking water and heating system installations.

- Maximum constant operating pressure: 10 bar
- Maximum continuous operating temperature: 95 °C

Cat. no.	Description	D _a [mm]	S [mm]	L [m]	Weight [kg/coil]	QTY [m]
83516401	in coils 16x2	16	2	100	11,3	100
83516701	in coils 16x2	16	2	200	22,6	200
83520401	in coils 20x2	20	2	100	15,2	100
83526201	in coils 26x3	26	3	50	14,4	50
83532201	in coils 32x3	32	3	50	19,1	50

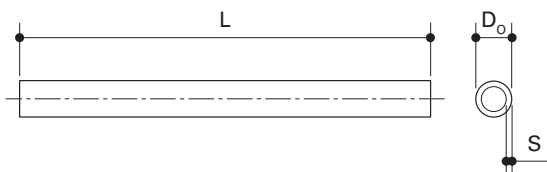


turatec multi multilayer composite pipe, white

Multilayer composite pipe, colour: white, in coils made of polyethylene of raised temperature resistance (PE-RT) as inner surface, longitudinally butt-welded aluminium pipe, and polyethylene of raised temperature resistance (PE-RT) as outer surface for drinking water and heating system installations.

- Maximum constant operating pressure: 10 bar
- Maximum continuous operating temperature: 70 °C

Cat. no.	Description	D _o [mm]	S [mm]	L [m]	Weight [kg]	QTY [m]
73016401	in coils 16x2	16	2	100	11.00	100
73016701	in coils 16x2	16	2	200	22.10	200
73020401	in coils 20x2	20	2	100	15.20	100
73026201	in coils 26x3	26	3	50	14.50	50
73032201	in coils 32x3	32	3	50	19.10	50



alpeX/turatec multilayer composite pipes



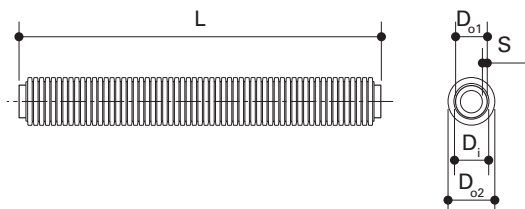
alpeX-duo XS multilayer composite pipe with protective sheathing

Multilayer composite pipe, colour: white, in coils made of cross-linked polyethylene (PE-Xb) as inner surface, longitudinally butt-welded aluminium pipe, and polyethylene of raised temperature resistance (PE-RT) as outer surface for drinking water and heating system installations, wrapped in PE-HD protective sheathing.

- Maximum constant operating pressure: 10 bar
- Maximum continuous operating temperature: 95 °C

Cat. no.	Description	D _{o1} [mm]	S [mm]	D _{o2} [mm]	D _i [mm]	L [m]	Weight [kg]	QTY [m]
83616202	in coils 16x2 - 24/19 red*	16	2	24	19	50	8.60	50
83616203	in coils 16x2 - 24/19 blue*	16	2	24	19	50	8.60	50
83620202	in coils 20x2 - 28/23 red*	20	2	28	23	50	11.10	50
83620203	in coils 20x2 - 28/23 blue*	20	2	28	23	50	11.10	50

*on request



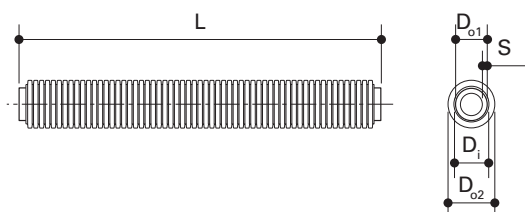
turatec multi multilayer composite pipe with protective sheathing

Multilayer composite pipe, colour: white, in coils made of polyethylene of raised temperature resistance (PE-RT) as inner surface, longitudinally butt-welded aluminium pipe, and heat-stabilised polyethylene (PE-RT) as outer surface for drinking water and heating system installations, wrapped in PE-HD protective sheathing.

- Maximum constant operating pressure: 10 bar
- Maximum continuous operating temperature: 70 °C

Cat. no.	Description	D _{o1} [mm]	S [mm]	D _{o2} [mm]	D _i [mm]	L [m]	Weight [kg]	QTY [m]
73116225	in coils 16x2 - 24/19 red*	16	2	24	19	50	8.60	50
73116226	in coils 16x2 - 24/19 blue*	16	2	24	19	50	8.60	50
73120225	in coils 20x2 - 28/23 red*	20	2	28	23	50	11.10	50
73120226	in coils 20x2 - 28/23 blue*	20	2	28	23	50	11.10	50

*on request



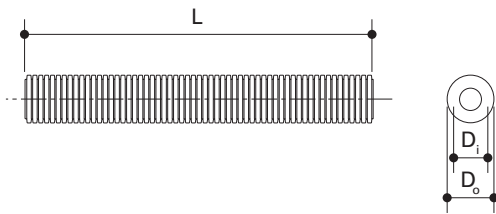
alpeX/turatec multilayer composite pipes



alpeX protective sheathing red / blue / black

Protective sheathing made of PE-HD to insert alpeX-duo and turatec multilayer composite pipes and provide additional protection against mechanical damage.

Cat. no.	Description	D _o [mm]	D _i [mm]	L [m]	Weight [kg]	QTY [m]
79916200	in coils 24/19 red for 16x2	24	19	100	6.20	100
79916201	in coils 24/19 blue for 16x2	24	19	100	6.20	100
79920200	in coils 28/23 red for 20x2	28	23	50	3.50	50
79920201	in coils 28/23 blue for 20x2	28	23	50	3.50	50
79825103	in coils 35/28 black for 25x2.3	35	28	50	5.40	50

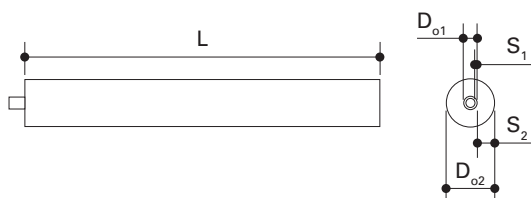


alpeX-duo XS multilayer composite pipe, pre-insulated

Multilayer composite pipe, colour: white, in coils made of cross-linked polyethylene (PE-Xb) as inner surface, longitudinally butt-welded aluminium pipe, and polyethylene of raised temperature resistance (PE-RT) as outer surface for drinking water and heating system installations, wrapped in pipe insulation made of flexible closed-cell PE foam with thermal conductivity group 040.

- Maximum constant operating pressure: 10 bar
- Maximum continuous operating temperature: 95 °C

Cat. no.	Description	D _{o1} [mm]	S ₁ [mm]	D _{o2} [mm]	S ₂ [mm]	L [m]	Weight [kg]	QTY [m]
83716223	in coils grey 6 mm - 16x2	16	2	28	6	50	6.50	50
83720223	in coils grey 6 mm - 20x2	20	2	32	6	50	9.00	50
83716214	in coils grey 9 mm - 16x2	16	2	34	9	50	6.80	50
83720214	in coils grey 9 mm - 20x2	20	2	38	9	50	9.20	50
83716217	in coils grey 13 mm - 16x2	16	2	42	13	50	7.00	50
83720217	in coils grey 13 mm - 20x2	20	2	46	13	50	9.30	50
83726117	in coils grey 13 mm - 26x3	26	3	52	13	25	8.60	25
83732117	in coils grey 13 mm - 32x3	32	3	58	13	25	11.30	25



alpeX/turatec multilayer composite pipes

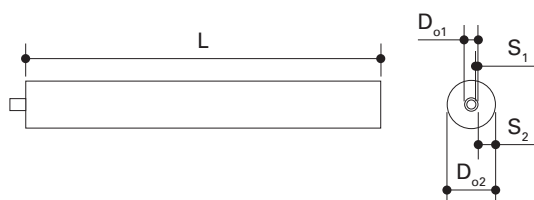


turatec multi multilayer composite pipe, pre-insulated

Multilayer composite pipe, colour: white, in coils made of polyethylene of raised temperature resistance (PE-RT) as inner surface, longitudinally butt-welded aluminium pipe, and polyethylene of raised temperature resistance (PE-RT) as outer surface for drinking water and heating system installations, wrapped in pipe insulation made of flexible closed-cell PE foam with thermal conductivity group 040.

- Maximum constant operating pressure: 10 bar
- Maximum continuous operating temperature: 70 °C

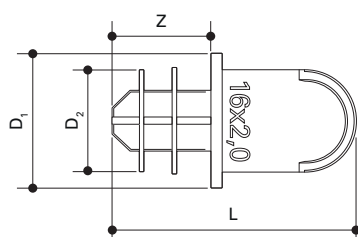
Cat. no.	Description	D _{o1} [mm]	S ₁ [mm]	D _{o2} [mm]	S ₂ [mm]	L [m]	Weight [kg]	QTY [m]
73716223	in coils grey 6 mm - 16x2	16	2	28	6	50	6.50	50
73720223	in coils grey 6 mm - 20x2	20	2	32	6	50	9.00	50
73716224	in coils grey 9 mm - 16x2	16	2	34	9	50	6.80	50
73720224	in coils grey 9 mm - 20x2	20	2	38	9	50	9.00	50
73726124	in coils grey 9 mm - 26x3	26	3	44	9	25	8.10	25
73732124	in coils grey 9 mm - 32x3	32	3	50	9	25	10.80	25



alpeX end plug, yellow

End plug to hygienically seal alpeX/turatec multilayer composite pipes during storage, transportation and construction phase according to DIN EN 806.

Cat. no.	Description	D ₁ [mm]	D ₂ [mm]	L [mm]	Z [mm]	Weight [kg]	QTY [pcs]
84916815	with lug for 16x2	16	12	29	12	0.001	10
84920815	with lug for 20x2	20	16	35	15	0.001	10
84926815	with lug for 26x3	26	20	38	18	0.002	5
84932815	with lug for 32x3	32	26	42	20	0.004	5



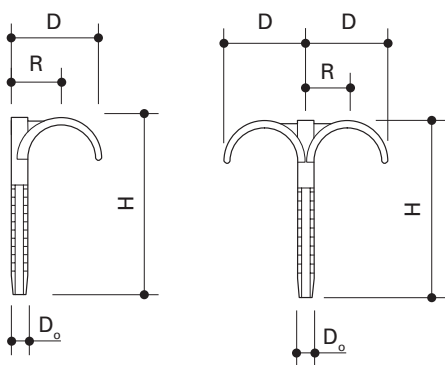
alpex/turatec multilayer composite pipes



alpex dowel hook

Plastic dowel hook to secure alpex/turatec pipes, pipes with protective sheathing and pre-insulated pipes on the floor.

Cat. no.	Description	D _o [mm]	R [mm]	D [mm]	H [mm]	Weight [kg]	QTY [pcs]
75912114	60 mm 12-20 mm - single	8	20	40	60	0.01	100
75912116	90 mm 12-20 mm - single	8	20	40	90	0.01	100
75912115	60 mm 12-20 mm - double	8	20	40	60	0.01	100
75912117	90 mm 12-20 mm - double	8	20	40	90	0.01	100



ff-therm solid plastic pipe

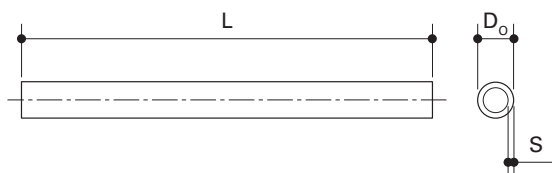


ff-therm ML5 PROFI pipe

Transparent solid plastic pipe in coils made of cross-linked polyethylene (PE-Xb) as inner surface, an EVOH barrier embedded between two adhesion promoting layers, and cross-linked polyethylene (PE-Xb) as outer surface for drinking water and heating system installations.

- Maximum constant operating pressure: 10 bar
- Maximum continuous operating temperature: 95 °C

Cat. no.	Description	D _o [mm]	S [mm]	L [m]	Weight [kg]	QTY [m]
76316750	in coils 16x2	16	2	200	18.2	200
76316950	in coils 16x2	16	2	600	54.6	600
76320450	in coils 20x2	20	2	100	11.4	100





alpex-duo® XS press fittings in 16-32 mm

eXtra Safety – easy, secure and future-proof fitting

- Greater flow rate – up to 30 percent
- Secure connection – thanks to leak function
- Premium material quality – lead-free
- No calibration – only three steps for installation
- Easy identification – unique laser engraving

alpex L press fittings in 40-75 mm

- Perfect supplement in large dimensions from 40 to 75 mm

alpex-duo® XS / alpex L

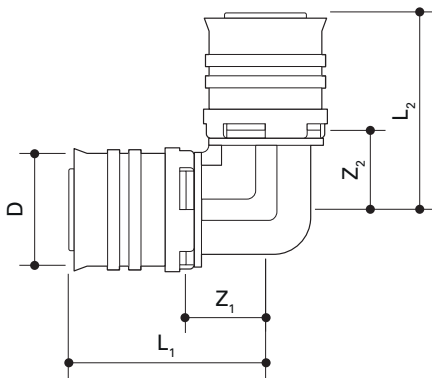


alpex-duo XS elbow 90°

Pressing contours: **F TH**

90° elbow made of PPSU for drinking water and heating system installations featuring white fixation rings with integrated inspection holes, fixed stainless steel pressing sleeves and leak function.

Cat. no.	Description	D [mm]	L ₁ [mm]	L ₂ [mm]	Z ₁ [mm]	Z ₂ [mm]	Weight [kg]	QTY [pcs]
82816200	16-16 PPSU	16	37	37	13	13	0,025	10
82820200	20-20 PPSU	20	39	39	14	14	0,034	10
82826200	26-26 PPSU	26	51	51	18	18	0,055	5
82832200	32-32 PPSU	32	56	56	22	22	0,073	5

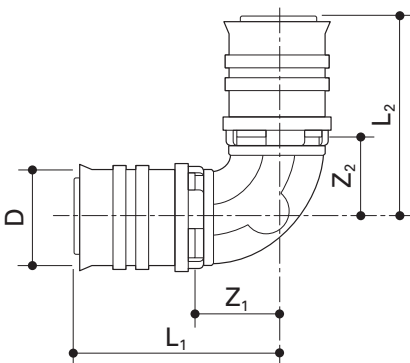


alpex-duo XS bend 90°

Pressing contours: **F TH**

90° bend made of dezincification-resistant brass for drinking water and heating system installations featuring white fixation rings with integrated inspection holes, fixed stainless steel pressing sleeves and leak function.

Cat. no.	Description	D [mm]	L ₁ [mm]	L ₂ [mm]	Z ₁ [mm]	Z ₂ [mm]	Weight [kg]	QTY [pcs]
8291620201	16-16 MS	16	41	41	18	18	0,062	10
8292020201	20-20 MS	20	42	42	18	18	0,082	10
8292620201	26-26 MS	26	52	52	20	20	0,127	5
8293220201	32-32 MS	32	56	56	24	24	0,180	5



alpex-duo® XS / alpex L

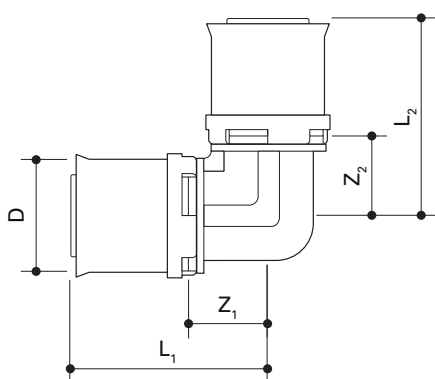


alpex L elbow 90°

Pressing contours: **F** **TH**

90° elbow made of PPSU or dezincification-resistant brass for drinking water and heating system installations featuring white fixation rings with integrated inspection holes, fixed stainless steel pressing sleeves and leak function.

Cat. no.	Description	D [mm]	L ₁ [mm]	L ₂ [mm]	Z ₁ [mm]	Z ₂ [mm]	Weight [kg]	QTY [pcs]
88440200	40-40 PPSU	40	66	66	27	27	0,132	3
88450200	50-50 PPSU	50	80	80	29	29	0,204	2
88463200	63-63 PPSU	63	91	91	36	36	0,289	1
86775200	75-75 MS	75	105	105	51	51	2,128	1

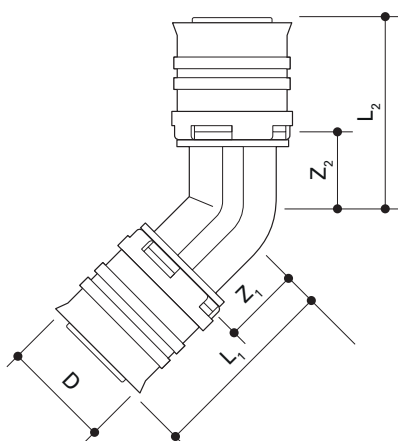


alpex-duo XS elbow 45°

Pressing contours: **F** **TH**

45° elbow made of PPSU for drinking water and heating system installations featuring white fixation rings with integrated inspection holes, fixed stainless steel pressing sleeves and leak function.

Cat. no.	Description	D [mm]	L ₁ [mm]	L ₂ [mm]	Z ₁ [mm]	Z ₂ [mm]	Weight [kg]	QTY [pcs]
82826201	26-26 PPSU	26	47	47	12	12	0,053	5
82832201	32-32 PPSU	32	49	49	15	15	0,069	5



alpex-duo® XS / alpex L

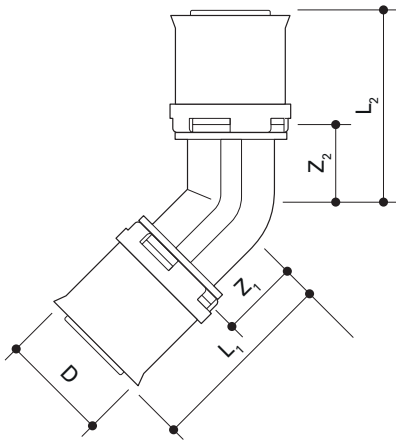


alpex L elbow 45°

Pressing contours: **F** **TH**

45° elbow made of PPSU or dezincification-resistant brass for drinking water and heating system installations featuring white fixation rings with integrated inspection holes, fixed stainless steel pressing sleeves and leak function.

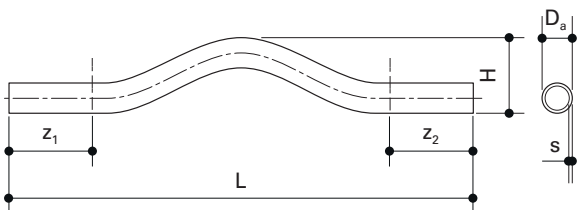
Cat. no.	Description	D [mm]	L ₁ [mm]	L ₂ [mm]	Z ₁ [mm]	Z ₂ [mm]	Weight [kg]	QTY [pcs]
88440201	40-40 PPSU	40	55	55	15	15	0,123	3
88450201	50-50 PPSU	50	66	66	17	17	0,190	2
88463201	63-63 PPSU	63	73	73	19	19	0,266	1
86775201	75-75 MS	75	92	92	39	39	1,793	1



alpex multilayer composite pipe bridge, white

Pre-bent multilayer composite pipe in white to create pipe crossings on one level.

Cat. no.	Description	D _a [mm]	S [mm]	L [mm]	H [mm]	Z ₁ [mm]	Z ₂ [mm]	Weight [kg/Pcs]	QTY [pcs]
75900116	pipe bridge white 16x2	16	2	305	47	25	25	0,050	1
75900120	pipe bridge white 20x2	20	2	310	51	30	30	0,060	1
75900126	pipe bridge white 26x3	26	3	387	58	50	50	0,160	1



alpex-duo® XS / alpex L

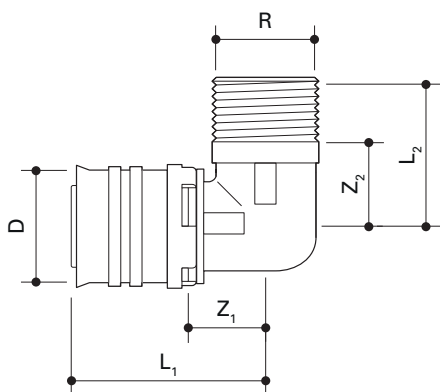


alpex-duo XS elbow with MT

Pressing contours: **F** **TH**

Male thread elbow adapter according to DIN EN 10226-1 made of dezincification-resistant brass for drinking water and heating system installations featuring a white fixation ring with integrated inspection holes, fixed stainless steel pressing sleeve and leak function.

Cat. no.	Description	D [mm]	R ["]	L ₁ [mm]	L ₂ [mm]	Z ₁ [mm]	Z ₂ [mm]	Weight [kg]	QTY [pcs]
8291678201	16-R1/2 MS	16	1/2	47	30	17	20	0,075	10
8292078201	20-R1/2 MS	20	1/2	48	30	17	20	0,090	10
8292078301	20-R3/4 MS	20	3/4	48	30	15	20	0,103	10
8292678301	26-R3/4 MS	26	3/4	62	36	21	25	0,145	5
8293278401	32-R1 MS	32	1	57	43	21	20	0,194	5

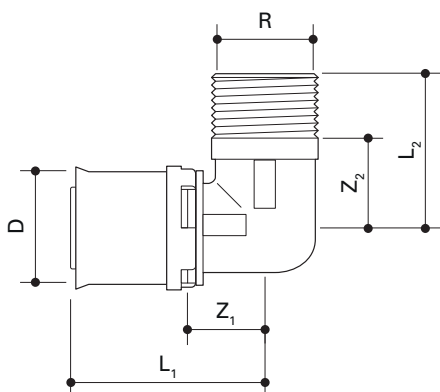


alpex L elbow with MT

Pressing contours: **F** **TH**

Male thread elbow adapter according to DIN EN 10226-1 made of dezincification-resistant brass for drinking water and heating system installations featuring a white fixation ring with integrated inspection holes, fixed stainless steel pressing sleeve and leak function.

Cat. no.	Description	D [mm]	R ["]	L ₁ [mm]	L ₂ [mm]	Z ₁ [mm]	Z ₂ [mm]	Weight [kg]	QTY [pcs]
86740785	40-R1 1/4 MS	40	1 1/4	73	55	32	36	0,561	3
86750786	50-R1 1/2 MS	50	1 1/2	82	55	33	36	0,753	2



alpex-duo® XS / alpex L

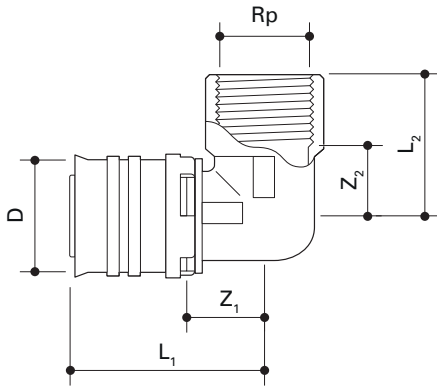


alpex-duo XS elbow with FT

Pressing contours: **F TH**

Female thread elbow adapter according to DIN EN 10226-1 made of dezincification-resistant brass for drinking water and heating system installations featuring a white fixation ring with integrated inspection holes, fixed stainless steel pressing sleeve and leak function.

Cat. no.	Description	D [mm]	Rp ["]	L ₁ [mm]	L ₂ [mm]	Z ₁ [mm]	Z ₂ [mm]	Weight [kg]	QTY [pcs]
8291679201	16-Rp1/2 MS	16	1/2	41	30	17	23	0,083	10
8292079201	20-Rp1/2 MS	20	1/2	42	30	17	23	0,092	10
8292079301	20-Rp3/4 MS	20	3/4	45	30	15	23	0,116	10
8292679301	26-Rp3/4 MS	26	3/4	54	36	21	21	0,152	5
8293279401	32-Rp1 MS	32	1	57	45	28	23	0,209	5

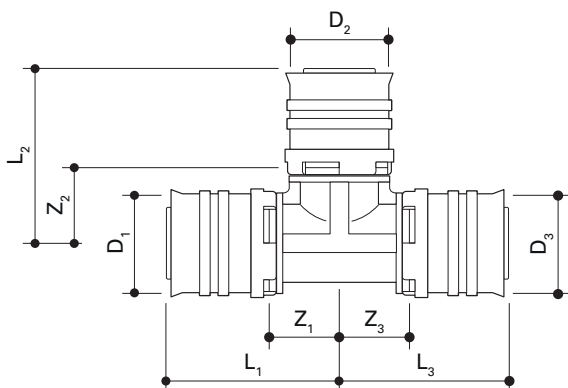


alpex-duo XS tee

Pressing contours: **F TH**

Tee made of PPSU for drinking water and heating system installations featuring white fixation rings with integrated inspection holes, fixed stainless steel pressing sleeves and leak function.

Cat. no.	Description	D ₁ [mm]	D ₂ [mm]	D ₃ [mm]	L ₁ [mm]	L ₂ [mm]	L ₃ [mm]	Z ₁ [mm]	Z ₂ [mm]	Z ₃ [mm]	Weight [kg]	QTY [pcs]
82816300	16-16-16 PPSU	16	16	16	38	38	38	13	13	13	0,037	10
82820300	20-20-20 PPSU	20	20	20	40	40	40	14	14	14	0,049	10
82826300	26-26-26 PPSU	26	26	26	51	51	51	18	18	18	0,081	5
82832300	32-32-32 PPSU	32	32	32	55	55	55	22	22	22	0,105	5



alpex-duo® XS / alpex L

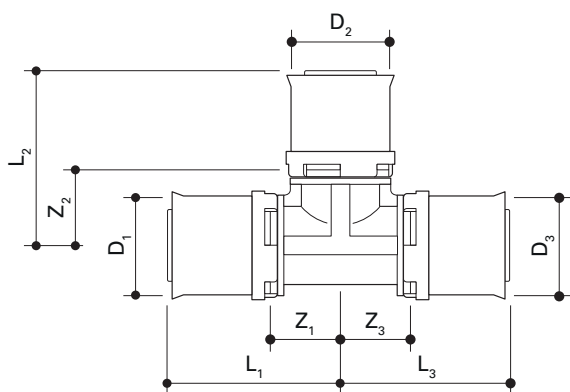


alpex L tee

Pressing contours: **F** **TH**

Tee made of PPSU or dezincification-resistant brass for drinking water and heating system installations featuring white fixation rings with integrated inspection holes, fixed stainless steel pressing sleeves and leak function.

Cat. no.	Description	D ₁ [mm]	D ₂ [mm]	D ₃ [mm]	L ₁ [mm]	L ₂ [mm]	L ₃ [mm]	Z ₁ [mm]	Z ₂ [mm]	Z ₃ [mm]	Weight [kg]	QTY [pcs]
88440300	40-40-40 PPSU	40	40	40	67	67	67	27	27	27	0,194	3
88450300	50-50-50 PPSU	50	50	50	80	80	80	31	31	31	0,298	2
88463300	63-63-63 PPSU	63	63	63	89	89	89	41	41	41	0,462	1
86775300	75-75-75 MS	75	75	75	105	105	105	51	51	51	3,005	1



alpex-duo® XS / alpex L

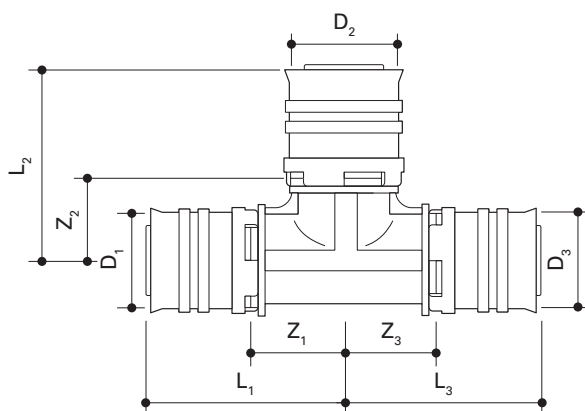


alpex-duo XS tee reduced

Pressing contours: **F TH**

Reduced tee made of PPSU for drinking water and heating system installations featuring white fixation rings with integrated inspection holes, fixed stainless steel pressing sleeves and leak function.

Cat. no.	Description	D ₁ [mm]	D ₂ [mm]	D ₃ [mm]	L ₁ [mm]	L ₂ [mm]	L ₃ [mm]	Z ₁ [mm]	Z ₂ [mm]	Z ₃ [mm]	Weight [kg]	QTY [pcs]
82816350	16-20-16 PPSU	16	20	16	39	39	39	15	13	15	0,041	10
82820333	20-16-16 PPSU	20	16	16	37	37	37	13	13	13	0,041	10
82820330	20-16-20 PPSU	20	16	20	38	38	38	13	13	13	0,045	10
82820303	20-20-16 PPSU	20	20	16	39	39	39	15	15	15	0,042	10
82820360	20-26-20 PPSU	20	26	20	42	48	42	17	15	17	0,096	5
82826335	26-16-20 PPSU	26	16	20	50	50	50	20	25	20	0,056	5
82826330	26-16-26 PPSU	26	16	26	46	42	46	13	18	13	0,065	5
82826353	26-20-16 PPSU	26	20	16	44	43	44	16	18	16	0,057	5
82826355	26-20-20 PPSU	26	20	20	45	43	45	16	18	16	0,060	5
82826350	26-20-26 PPSU	26	20	26	48	42	48	15	18	15	0,070	5
82826303	26-26-16 PPSU	26	26	16	47	47	47	18	18	18	0,068	5
82826305	26-26-20 PPSU	26	26	20	47	47	47	18	18	18	0,070	5
82832330	32-16-32 PPSU	32	16	32	47	44	47	13	20	13	0,080	5
82832356	32-20-26 PPSU	32	20	26	49	45	49	16	21	16	0,080	5
82832350	32-20-32 PPSU	32	20	32	48	45	48	15	20	15	0,085	5
82832366	32-26-26 PPSU	32	26	26	52	55	52	18	21	18	0,091	5
82832360	32-26-32 PPSU	32	26	32	51	54	51	18	21	18	0,107	5



alpeX-duo® XS / alpeX L

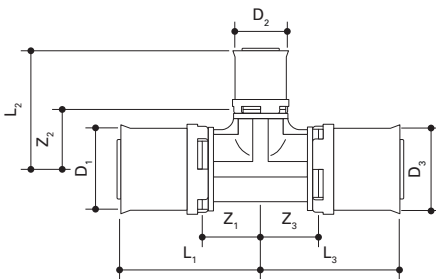


alpeX L tee reduced

Pressing contours: **F** **TH**

Reduced tee made of PPSU or dezincification-resistant brass for drinking water and heating system installations featuring white fixation rings with integrated inspection holes, fixed stainless steel pressing sleeves and leak function. Can be pressed using the F-contour, the dimensions smaller than or equal to 32 mm also with the TH pressing contour.

Cat. no.	Description	D ₁ [mm]	D ₂ [mm]	D ₃ [mm]	L ₁ [mm]	L ₂ [mm]	L ₃ [mm]	Z ₁ [mm]	Z ₂ [mm]	Z ₃ [mm]	Weight [kg]	QTY [pcs]
82840350	40-20-40 PPSU	40	20	40	57	50	57	17	25	17	0,141	3
82840360	40-26-40 PPSU	40	26	40	60	59	60	20	25	20	0,154	3
82840370	40-32-40 PPSU	40	32	40	64	59	64	24	25	24	0,170	3
82850350	50-20-50 PPSU	50	20	50	71	57	71	33	33	33	0,223	2
82850360	50-26-50 PPSU	50	26	50	74	65	74	33	33	33	0,239	2
82850370	50-32-50 PPSU	50	32	50	76	65	76	33	33	33	0,262	2
88450380	50-40-50 PPSU	50	40	50	75	72	75	26	31	26	0,338	2
82863370	63-32-63 PPSU	63	32	63	82	73	82	41	41	41	0,339	1
88463380	63-40-63 PPSU	63	40	63	85	80	85	41	41	41	0,373	1
88463390	63-50-63 PPSU	63	50	63	90	89	90	41	41	41	0,42	1
86775380	75-40-75 MS	75	40	75	104	92	104	51	51	51	2,869	1
86775390	75-50-75 MS	75	50	75	104	100	104	51	51	51	2,815	1



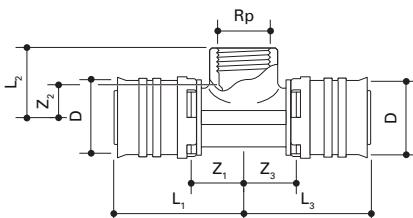
alpeX-duo XS tee with FT

Pressing contours: **F** **TH**



Female thread tee adapter according to DIN EN 10226-1 made of dezincification-resistant brass for drinking water and heating system installations featuring white fixation rings with integrated inspection holes, fixed stainless steel pressing sleeves and leak function.

Cat. no.	Description	D [mm]	Rp ["]	L ₁ [mm]	L ₂ [mm]	L ₃ [mm]	Z ₁ [mm]	Z ₂ [mm]	Z ₃ [mm]	Weight [kg]	QTY [pcs]
8291674201	16-Rp1/2-16 MS	16	1/2	43	18	43	19	5	19	0,106	10
8292074201	20-Rp1/2-20 MS	20	1/2	44	19	44	19	6	19	0,129	10
8292074301	20-Rp3/4-20 MS	20	3/4	45	19	45	20	6	20	0,151	10
8292674201	26-Rp1/2-26 MS	26	1/2	53	20	53	19	7	19	0,180	5
8292674301	26-Rp3/4-26 MS	26	3/4	56	22	56	22	7	22	0,199	5
8293274201	32-Rp1/2-32 MS	32	1/2	53	26	53	22	11	22	0,216	5
8293274301	32-Rp3/4-32 MS	32	3/4	56	26	56	22	11	22	0,239	5
8293274401	32-Rp1-32 MS	32	1	57	26	57	22	11	22	0,267	5



alpeX-duo® XS / alpeX L

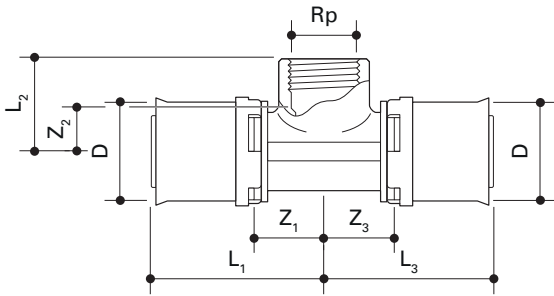


alpeX L tee with FT

Pressing contours: **F TH**

Female thread tee adapter according to DIN EN 10226-1 made of dezincification-resistant brass for drinking water and heating system installations featuring white fixation rings with integrated inspection holes, fixed stainless steel pressing sleeves and leak function.

Cat. no.	Description	D [mm]	Rp ["]	L ₁ [mm]	L ₂ [mm]	L ₃ [mm]	Z ₁ [mm]	Z ₂ [mm]	Z ₃ [mm]	Weight [kg]	QTY [pcs]
86740742	40-Rp1/2-40 MS	40	1/2	69	36	69	28	23	28	0,580	3
86740743	40-Rp3/4-40 MS	40	3/4	69	36	69	28	23	28	0,548	3
86750743	50-Rp3/4-50 MS	50	3/4	82	46	82	33	31	33	0,960	2
86763744	63-Rp1-63 MS	63	1	89	51	89	41	34	41	1,620	1
86775744	75-Rp1-75 MS	75	1	104	62	104	51	52	51	2,611	1

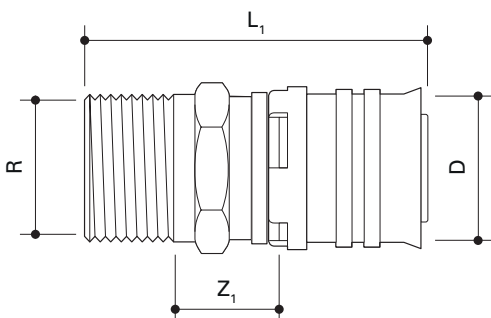


alpeX-duo XS adapter with MT

Pressing contours: **F TH**

Male thread adapter according to DIN EN 10226-1 made of dezincification-resistant brass for drinking water and heating system installations featuring a white fixation ring with integrated inspection holes, fixed stainless steel pressing sleeve and leak function.

Cat. no.	Description	D [mm]	R ["]	L ₁ [mm]	Z ₁ [mm]	Weight [kg]	QTY [pcs]
8291676201	16-R1/2 MS	16	1/2	51	13	0,062	10
8291676301	16-R3/4 MS	16	3/4	50	12	0,080	10
8292076201	20-R1/2 MS	20	1/2	52	13	0,069	10
8292076301	20-R3/4 MS	20	3/4	52	11	0,086	10
8292076401	20-R1 MS	20	1	56	13	0,141	10
8292676301	26-R3/4 MS	26	3/4	59	11	0,102	5
8292676401	26-R1 MS	26	1	64	13	0,154	5
8293276401	32-R1 MS	32	1	64	13	0,164	5
8293276501	32-R1 1/4 MS	32	1 1/4	67	15	0,216	5



alpex-duo® XS / alpex L



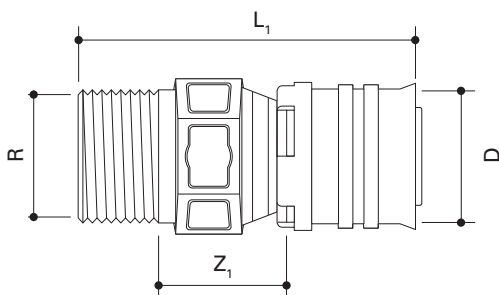
alpex-duo XS adapter with MT

NEW

Pressing contours: F TH

Male thread adapter according to DIN EN 10226-1 made of PPSU for drinking water and heating system installations featuring a white fixation ring with integrated inspection holes, fixed stainless steel pressing sleeve and leak function.

Cat. no.	Description	D [mm]	R ["]	L ₁ [mm]	Z ₁ [mm]	Weight [kg]	QTY [pcs]
82816761	16-R3/8 PPSU	16	3/8	53	19	14	10
82816762	16-R1/2 PPSU	16	1/2	58	20	17	10
82816763	16-R3/4 PPSU	16	3/4	57	18	20	10
82820762	20-R1/2 PPSU	20	1/2	59	20	20	10
82820763	20-R3/4 PPSU	20	3/4	57	17	22	10



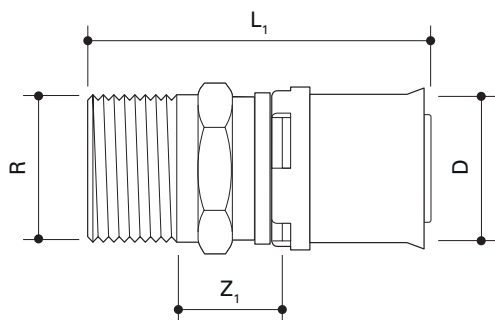
alpex L adapter with MT

Pressing contours: F TH



Male thread adapter according to DIN EN 10226-1 made of dezincification-resistant brass for drinking water and heating system installations featuring a white fixation ring with integrated inspection holes, fixed stainless steel pressing sleeve and leak function.

Cat. no.	Description	D [mm]	R ["]	L ₁ [mm]	Z ₁ [mm]	Weight [kg]	QTY [pcs]
86740764	40-R1 MS	40	1	74	16	0,269	3
86740765	40-R1 1/4 MS	40	1 1/4	76	16	0,338	3
86740766	40-R1 1/2 MS	40	1 1/2	76	16	0,369	3
86750766	50-R1 1/2 MS	50	1 1/2	85	19	0,467	2
86750768	50-R2 MS	50	2	89	17	0,584	2
86763768	63-R2 MS	63	2	94	16	0,775	1
86775769	75-R2 1/2 MS	75	2 1/2	101	20	1,235	1



alpex-duo® XS / alpex L

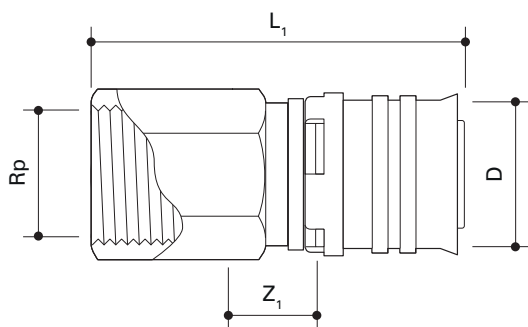


alpex-duo XS adapter with FT

Pressing contours: **F TH**

Female thread adapter according to DIN EN 10226-1 made of dezincification-resistant brass for drinking water and heating system installations featuring a white fixation ring with integrated inspection holes, fixed stainless steel pressing sleeve and leak function.

Cat. no.	Description	D [mm]	Rp ["]	L ₁ [mm]	Z ₁ [mm]	Weight [kg]	QTY [pcs]
8291677201	16-Rp1/2 MS	16	1/2	48	11	0,079	10
8292077201	20-Rp1/2 MS	20	1/2	49	11	0,086	10
8292077301	20-Rp3/4 MS	20	3/4	47	12	0,085	10
8292677301	26-Rp3/4 MS	26	3/4	58	12	0,102	5
8292677401	26-Rp1 MS	26	1	62	13	0,161	5
8293277401	32-Rp1 MS	32	1	62	13	0,180	5
8293277501	32-Rp1 1/4 MS	32	1 1/4	64	13	0,196	5

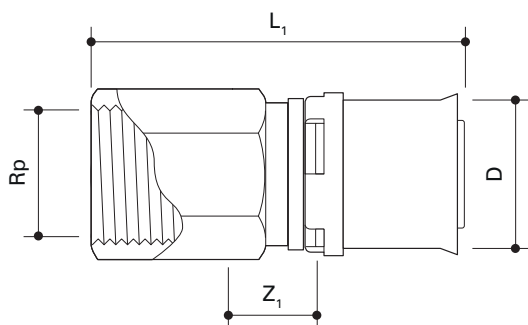


alpex L adapter with FT

Pressing contours: **F TH**

Female thread adapter according to DIN EN 10226-1 made of dezincification-resistant brass for drinking water and heating system installations featuring a white fixation ring with integrated inspection holes, fixed stainless steel pressing sleeve and leak function.

Cat. no.	Description	D [mm]	Rp ["]	L ₁ [mm]	Z ₁ [mm]	Weight [kg]	QTY [pcs]
86740774	40-Rp1 MS	40	1	68	9	0,261	3
86740775	40-Rp1 1/4 MS	40	1 1/4	71	9	0,328	3
86750776	50-Rp1 1/2 MS	50	1 1/2	80	9	0,476	2
86763778	63-Rp2 MS	63	2	88	10	0,760	1



alpex-duo® XS / alpex L

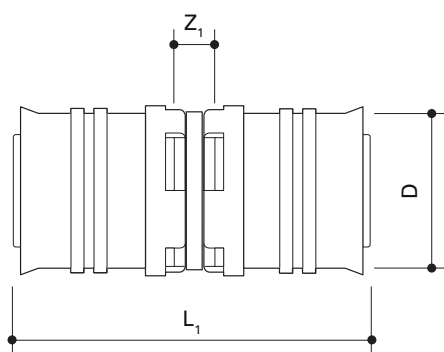


alpex-duo XS coupling

Pressing contours: **F** **TH**

Coupling made of PPSU for drinking water and heating system installations featuring white fixation rings with integrated inspection holes, fixed stainless steel pressing sleeves and leak function.

Cat. no.	Description	D [mm]	L ₁ [mm]	Z ₁ [mm]	Weight [kg]	QTY [pcs]
82816100	16-16 PPSU	16	56	8	0,023	10
82820100	20-20 PPSU	20	58	8	0,031	10
82826100	26-26 PPSU	26	76	9	0,050	5
82832100	32-32 PPSU	32	76	9	0,064	5

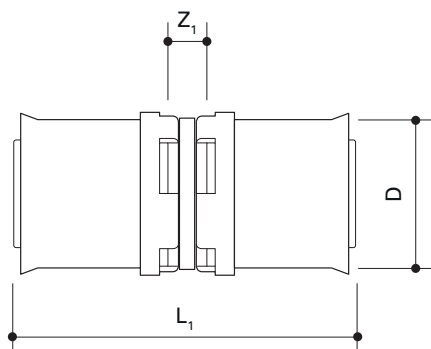


alpex L coupling

Pressing contours: **F** **TH**

Coupling made of PPSU or dezincification-resistant brass for drinking water and heating system installations featuring white fixation rings with integrated inspection holes, fixed stainless steel pressing sleeves and leak function.

Cat. no.	Description	D [mm]	L ₁ [mm]	Z ₁ [mm]	Weight [kg]	QTY [pcs]
88440100	40-40 PPSU	40	92	11	0,105	3
88450100	50-50 PPSU	50	109	11	0,177	2
88463100	63-63 PPSU	63	118	12	0,248	1
86775100	75-75 MS	75	118	12	1,130	1



alpex-duo® XS / alpex L

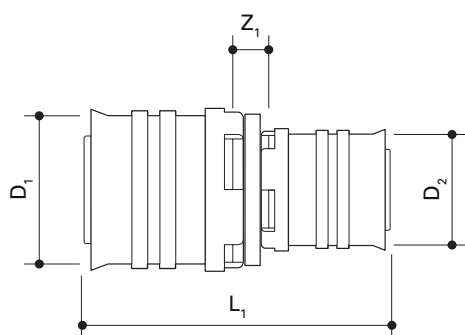


alpex-duo XS coupling reduced

Pressing contours: **F** **TH**

Reduced coupling made of PPSU for drinking water and heating system installations featuring white fixation rings with integrated inspection holes, fixed stainless steel pressing sleeves and leak function.

Cat. no.	Description	D ₁ [mm]	D ₂ [mm]	L ₁ [mm]	Z ₁ [mm]	Weight [kg]	QTY [pcs]
82820130	20-16 PPSU	20	16	57	8	0,027	10
82826130	26-16 PPSU	26	16	66	8	0,036	5
82826150	26-20 PPSU	26	20	67	9	0,040	5
82832150	32-20 PPSU	32	20	67	9	0,050	5
82832160	32-26 PPSU	32	26	76	9	0,058	5

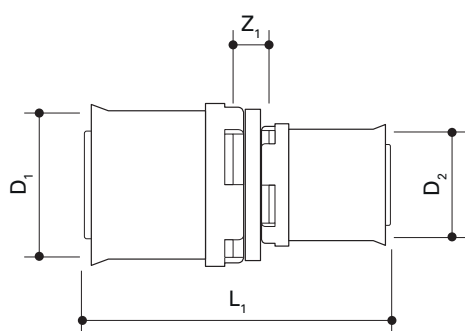


alpex L coupling reduced

Pressing contours: **F** **TH**

Reduced coupling made of PPSU or dezincification-resistant brass for drinking water and heating system installations featuring white fixation rings with integrated inspection holes, fixed stainless steel pressing sleeves and leak function. Can be pressed using the F-contour, the dimensions smaller than or equal to 32 mm also with the TH pressing contour.

Cat. no.	Description	D ₁ [mm]	D ₂ [mm]	L ₁ [mm]	Z ₁ [mm]	Weight [kg]	QTY [pcs]
82840160	40-26 PPSU	40	26	88	10	0,086	3
82840170	40-32 PPSU	40	32	84	10	0,091	3
82850170	50-32 PPSU	50	32	98	12	0,127	2
88450180	50-40 PPSU	50	40	100	10	0,149	2
88463180	63-40 PPSU	63	40	112	13	0,194	1
88463190	63-50 PPSU	63	50	118	11	0,221	1
86775180	75-40 MS	75	40	105	10	0,846	1
86775190	75-50 MS	75	50	113	10	0,901	1
86775195	75-63 MS	75	63	118	10	1,018	1



alpex-duo® XS / alpex L

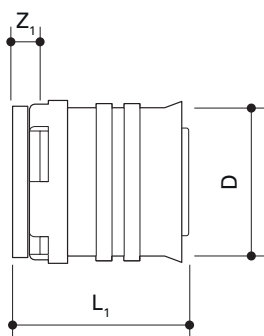


alpex-duo XS end cap

Pressing contours: **F** **TH**

End cap made of PPSU to seal pipe ends in drinking water and heating systems featuring a white fixation ring with integrated inspection holes, fixed stainless steel pressing sleeve and leak function.

Cat. no.	Description	D [mm]	L ₁ [mm]	Z ₁ [mm]	Weight [kg]	QTY [pcs]
82816820	16 PPSU	16	31	5	0,012	10
82820820	20 PPSU	20	32	5	0,016	10
82826820	26 PPSU	26	42	6	0,026	5
82832820	32 PPSU	32	42	6	0,034	5

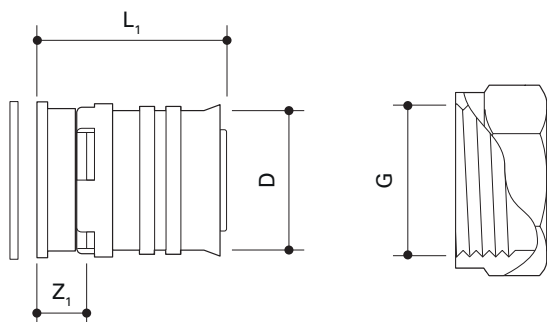


alpex-duo XS transition coupling

Pressing contours: **F** **TH**

Flat-sealing adapter made of dezincification-resistant brass to create detachable connections in drinking water and heating systems featuring a white fixation ring with integrated inspection holes, fixed stainless steel pressing sleeve and leak function.

Cat. no.	Description	D [mm]	G ["]	L ₁ [mm]	Z ₁ [mm]	Weight [kg]	QTY [pcs]
8291667201	flat-sealing 16-G1/2 MS	16	1/2	37	12	0,057	10
8291667301	flat-sealing 16-G3/4 MS	16	3/4	31	12	0,067	10
8292067301	flat-sealing 20-G3/4 MS	20	3/4	38	12	0,078	10
8292067401	flat-sealing 20-G1 MS	20	1	32	14	0,100	10
8292667301	flat-sealing 26-G3/4 MS	26	3/4	55	12	0,109	5
8292667401	flat-sealing 26-G1 MS	26	1	49	14	0,127	5
8292667501	flat-sealing 26-G1 ¼ MS	26	1 1/4	43	8	0,105	5
8292667601	flat-sealing 26-G1 ½ MS	26	1 1/2	42	26	0,186	5
8293267401	flat-sealing 32-G1 MS	32	1	60	14	0,159	5
8293267501	flat-sealing 32-G1 ¼ MS	32	1 1/4	54	20	0,179	5
8293267601	flat-sealing 32-G1 ½ MS	32	1 1/2	43	20	0,189	5



alpex-duo® XS / alpex L

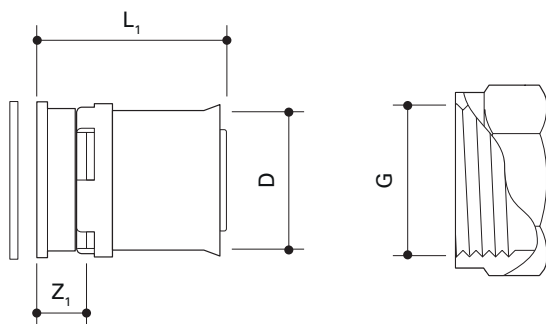


alpex L transition coupling

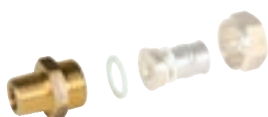
Pressing contours: **F** **TH**

Flat-sealing adapter made of dezincification-resistant brass to create detachable connections in drinking water and heating systems featuring a white fixation ring with integrated inspection holes, fixed stainless steel pressing sleeve and leak function.

Cat. no.	Description	D [mm]	G ["]	L ₁ [mm]	Z ₁ [mm]	Weight [kg]	QTY [pcs]
86740795	flat-sealing 40-G1 1/4 MS	40	1 1/4	61	17	0,306	3
86740796	flat-sealing 40-G1 1/2 MS	40	1 1/2	63	17	0,362	3
86750797	flat-sealing 50-G1 3/4 MS	50	1 3/4	72	20	0,521	2
86750798	flat-sealing 50-G2 MS	50	2	72	20	0,526	2
86763798	flat-sealing 63-G2 MS	63	2	86	20	0,692	1
86763799	flat-sealing 63-G2 3/8 MS	63	2 3/8	76	20	0,769	1

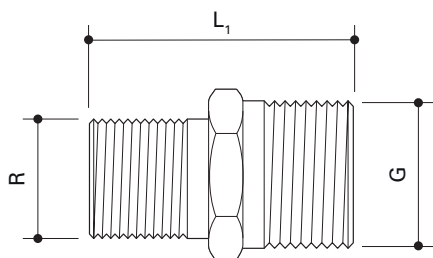


alpex connection coupling



Flat-sealing connection coupling made of brass to create detachable connections in combination with alpex flat-sealing adapters. R-thread according to DIN EN 10226-1, G-thread according to DIN EN ISO 228-1.

Cat. no.	Description	R ["]	G ["]	L ₁ [mm]	Weight [kg]	QTY [pcs]
85900932	flat-sealing R1/2-G3/4 MS	1/2	3/4	35	0,094	10
85900943	flat-sealing R3/4-G1 MS	3/4	1	40	0,159	10
85900954	flat-sealing R1-G1 1/4 MS	1	1 1/4	43	0,245	10
85900988	flat-sealing R2-G2 MS	2	2	56	0,678	5



Overview alpex wall mount elbow and sealings

	Wall mount elbow				
	Size	1/2"		3/4"	
	Dimensions	16-20	16	16-20	20-26
	Depth	35 mm	52 mm	78 mm	35 mm
					
noise absorption kit short 	1/2" 84916215				
	3/4" 84926215				
noise absorption kit long 	1/2" 85916211				
Sealing 	NEW 1/2" 84916315				
	NEW 3/4" 84926315				
Insulation pad 	NEW - 84900315				

alpex-duo® XS / alpex L

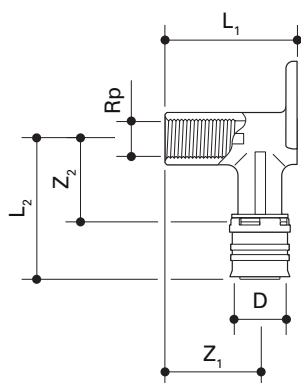


alpex-duo XS wall mount elbow

Pressing contours: **F TH**

Female thread 35 mm wall mount elbow according to DIN EN 10226-1 made of dezincification-resistant brass for fitting connection in tee and serial installations in drinking water systems featuring a white fixation ring with integrated inspection holes, fixed stainless steel pressing sleeve and leak function.

Cat. no.	Description	D [mm]	Rp ["]	L ₁ [mm]	L ₂ [mm]	Z ₁ [mm]	Z ₂ [mm]	Weight [kg]	QTY [pcs]
8291672001	35 mm 16-Rp1/2 MS	16	1/2	35	47	18	23	0,110	10
8292072001	35 mm 20-Rp1/2 MS	20	1/2	35	48	18	23	0,119	10
8292072301	35 mm 20-Rp3/4 MS	20	3/4	35	48	18	23	0,130	10
8292672001	35 mm 26-Rp3/4 MS	26	3/4	35	62	18	28	0,164	5

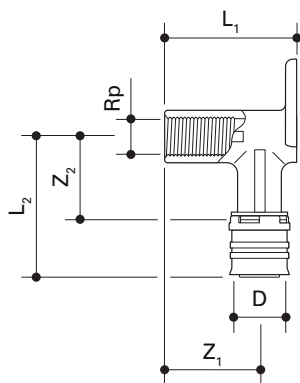


alpex-duo XS wall mount elbow

Pressing contours: **F TH**

Female thread 52 mm wall mount elbow according to DIN EN 10226-1 made of dezincification-resistant brass for fitting connection in tee and serial installations in drinking water systems featuring a white fixation ring with integrated inspection holes, fixed stainless steel pressing sleeve and leak function.

Cat. no.	Description	D [mm]	Rp ["]	L ₁ [mm]	L ₂ [mm]	Z ₁ [mm]	Z ₂ [mm]	Weight [kg]	QTY [pcs]
8291672201	52 mm 16-Rp1/2 MS	16	1/2	52	47	35	23	0,147	10



alpex-duo® XS / alpex L

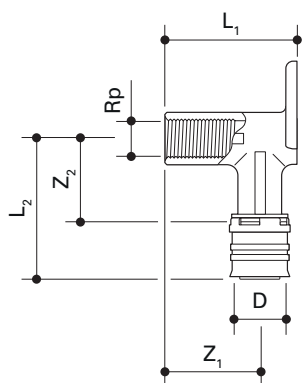


alpex-duo XS wall mount elbow

Pressing contours: **F** **TH**

Female thread 78 mm wall mount elbow according to DIN EN 10226-1 made of dezincification-resistant brass for fitting connection in tee and serial installations in drinking water systems featuring a white fixation ring with integrated inspection holes, fixed stainless steel pressing sleeve and leak function.

Cat. no.	Description	D [mm]	Rp ["]	L ₁ [mm]	L ₂ [mm]	Z ₁ [mm]	Z ₂ [mm]	Weight [kg]	QTY [pcs]
8291672101	78 mm 16-Rp1/2 MS	16	1/2	78	47	61	23	0,204	10
8292072101	78 mm 20-Rp1/2 MS	20	1/2	78	47	61	23	0,214	10

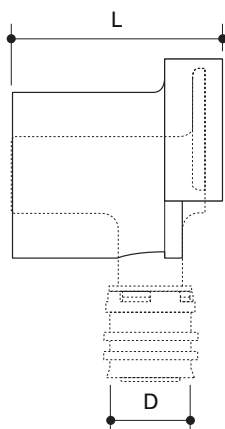


alpex-duo® XS / alpex L

**alpex noise absorption kit**

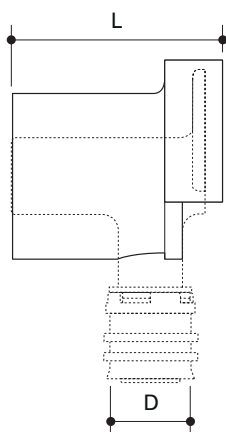
Noise absorption kit for wall mount elbow 35 mm to decouple from masonry and enhance noise insulation.

Cat. no.	Description	D [mm]	L [mm]	Weight [kg]	QTY [pcs]
84916215	for wall mount elbow 35 mm Rp1/2	16-20	56	0,031	10
84926215	for wall mount elbow 35 mm Rp3/4	20-26	56	0,025	10

**alpex noise absorption kit**

Noise absorption kit for wall mount elbow 78 mm to decouple from masonry and enhance noise insulation.

Cat. no.	Description	D [mm]	L [mm]	Weight [kg]	QTY [pcs]
85916211	for wall mount elbow 78 mm Rp1/2	16-20	82	0,033	10



alpex-duo® XS / alpex L

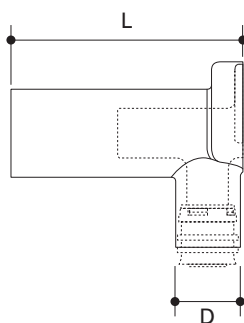


alpex sealing

NEW

Sealing made of TPE for wall mount elbows with integrally moulded sealing sleeve. As wall lead-through for walls in wet areas according to DIN 18534 and to decouple from masonry and enhance noise insulation.

Cat. no.	Description	D [mm]	L [mm]	Weight [kg]	QTY [pcs]
84916315	for wall mount elbow 35-78 mm 1/2"	16-20	100	0,048	10
84926315	for wall mount elbow 35 mm 3/4"	20-26	100	0,052	10

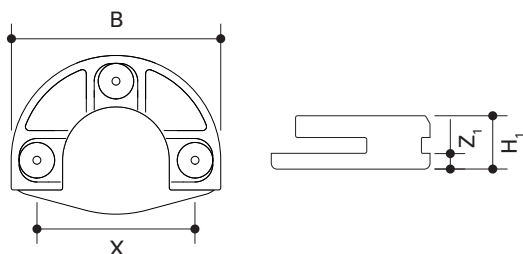


alpex insulation pad

NEW

Insulation pad made of TPE to decouple wall mount elbows from masonry or mounting rails and plates and to improve noise insulation. If the distance between the wall mount elbow and the wall/rail is too small, you can also use the insulation underlay as a spacing plate.

Cat. no.	Description	H ₁ [mm]	Z ₁ [mm]	X [mm]	B [mm]	Weight [kg]	QTY [pcs]
84900315	for wall mount elbow 35-78 mm	11	4	40	53	0,013	10



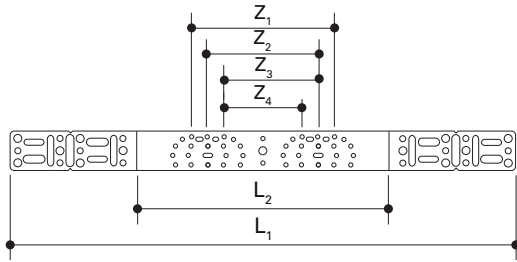
alpeX-duo® XS / alpeX L



alpeX mounting plate

Mounting plate with a 135 mm lug including fastening material for wall mount elbow, for one or two fitting connections in drinking water installations.

Cat. no.	Description	L ₁ [mm]	L ₂ [mm]	H [mm]	Z ₁ [mm]	Z ₂ [mm]	Z ₃ [mm]	Z ₄ [mm]	S [mm]	Weight [kg]	QTY [pcs]
84900120	84/100/120/153 mm	542	270	37	153	120	100	84	3	0,485	20



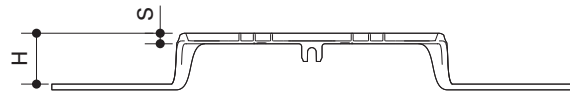
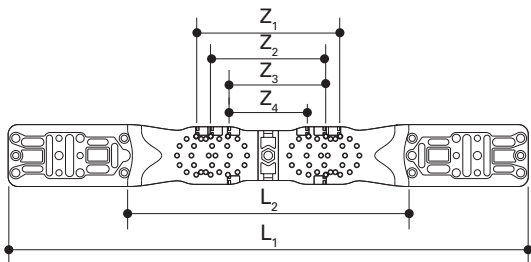
alpeX mounting plate PA

NEW



Mounting plate made of PA with 360-degree fixing possibility for various wall mount elbows in drinking water installations. The integrated Siphon-Fix for holding M8 threaded rods makes fixing the siphon angle easier. The fixing screws supplied have a unique screw head for bit holders (1/4"), Z2 cross recess and width across flats 6.

Cat. no.	Description	L ₁ [mm]	L ₂ [mm]	H [mm]	Z ₁ [mm]	Z ₂ [mm]	Z ₃ [mm]	Z ₄ [mm]	S [mm]	Weight [kg]	QTY [pcs]
84901120	84/100/120/150 mm	542	295	53	150	120	100	84	11	0,311	10



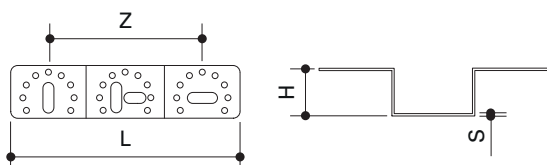
alpex-duo® XS / alpex L



alpex mounting plate Gemini

Gemini mounting plate including fastening material for wall mount elbow, for one or two fitting connections in drinking water installations.

Cat. no.	Description	L [mm]	H [mm]	Z [mm]	S [mm]	Weight [kg]	QTY [pcs]
84900117	120 mm (single/Gemini)	175	36	120	3	0,209	10
84900118	153 mm (Gemini)	208	36	153	3	0,252	10

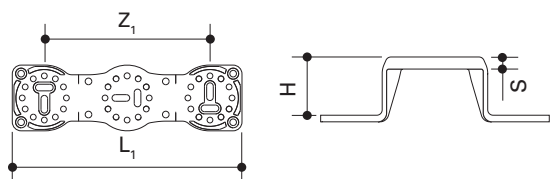


alpex mounting plate PA Gemini

NEW

Mounting plate made of PA with 360-degree fixing possibility for various wall mount elbows in drinking water installations. The mounting plate can also be used as a single fastener. The fixing screws supplied have a unique screw head for bit holders (1/4"), Z2 cross recess and width across flats 6.

Cat. no.	Description	L ₁ [mm]	H [mm]	Z ₁ [mm]	S [mm]	Weight [kg]	QTY [pcs]
84901118	150 mm	208	53	150	11	0,110	10



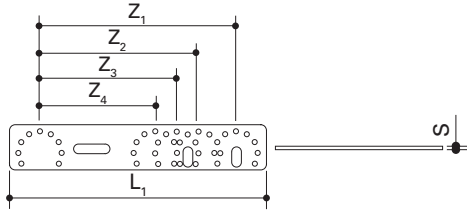
alpex-duo® XS / alpex L



alpex mounting rail

Mounting rail including fastening material for wall mount elbow, for one or two fitting connections in drinking water installations.

Cat. no.	Description	L [mm]	Z ₁ [mm]	Z ₂ [mm]	Z ₃ [mm]	Z ₄ [mm]	S [mm]	Weight [kg]	QTY [pcs]
84900116	80/100/120/153 mm	208	153	120	100	80	3	0,177	10

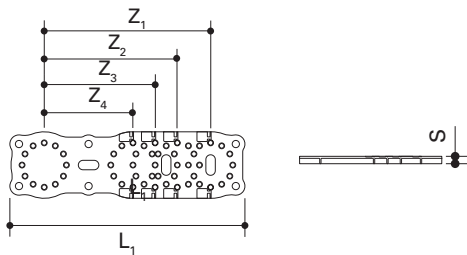


alpex mounting rail PA Gemini

NEW

Mounting rail made of PA with 360-degree fixing possibility for various wall mount elbows in drinking water installations. The fixing screws supplied have a unique screw head for bit holders (1/4"), Z2 cross recess and width across flats 6.

Cat. no.	Description	L ₁ [mm]	Z ₁ [mm]	Z ₂ [mm]	Z ₃ [mm]	Z ₄ [mm]	S [mm]	Weight [kg]	QTY [pcs]
84901116	80/100/120/150 mm	212	150	120	100	80	11	0,127	10

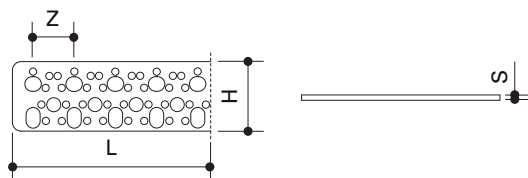


alpex mounting rail



Mounting rail for individual bending for wall mount elbows in drinking water installations. To optimally secure wall mount elbows, screw size of 4.8 x 16 mm is recommended (tapping screw).

Cat. no.	Description	L [mm]	H [mm]	Z [mm]	S [mm]	Weight [kg]	QTY [pcs]
84900119	1200 mm	1200	42	25	3	0,788	10



alpex-duo® XS / alpex L

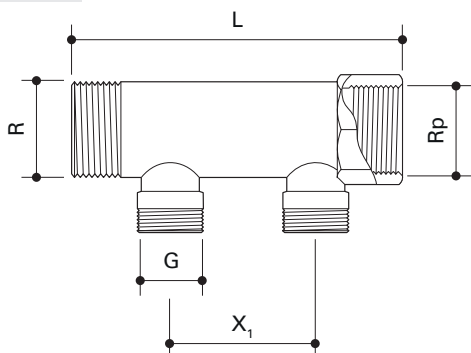


alpex manifold

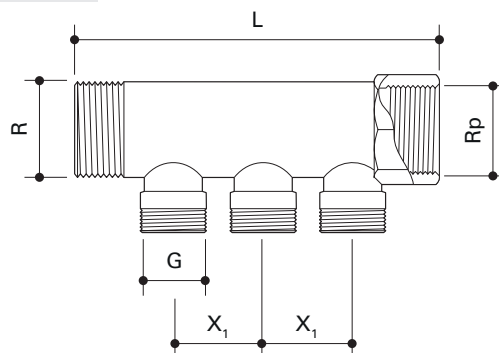
Manifold made of dezincification-resistant brass, can be variably combined, to design various Eurocone G3/4" outlets in drinking water and heating systems.

Cat. no.	Description	Rp ["]	G ["]	R ["]	L [mm]	X ₁ [mm]	Weight [kg]	QTY [pcs]
89500502	Eurocone Rp1 - 2x G3/4 - R1 MS	1	3/4	1	116	50	0,408	10
89500503	Eurocone Rp1 - 3x G3/4 - R1 MS	1	3/4	1	166	50	0,585	10

89500502



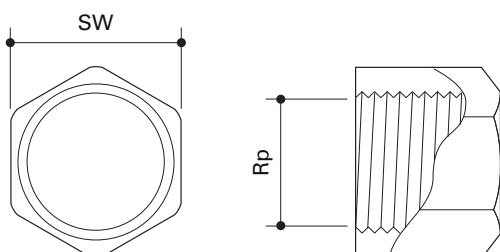
89500503



alpex cap for manifold

Cap made of dezincification-resistant brass with female thread according to DIN EN 10226-1 suited for alpex manifolds.

Cat. no.	Description	Rp ["]	SW [mm]	Weight [kg]	QTY [pcs]
89500515	Rp1 MS	1	36	0,112	10



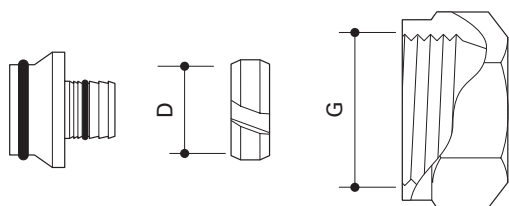
alpex-duo® XS / alpex L



alpex compression coupling

Female compression coupling according to DIN EN ISO 228 and Eurocone made of brass to connect alpex and turatec pipes to devices, fittings and shaped parts featuring Eurocone.

Cat. no.	Description	D [mm]	G ["]	Weight [kg]	QTY [pcs]
74816103	Eurocone 16-G3/4 MS	16	3/4	0,070	10
74820103	Eurocone 20-G3/4 MS	20	3/4	0,070	10

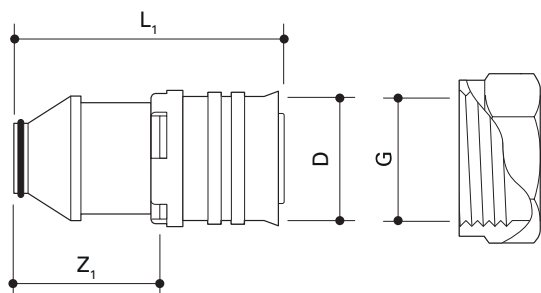


alpex-duo XS press connection coupling

Pressing contours: **F TH**

Female press connection coupling according to DIN EN ISO 228 and Eurocone made of brass featuring a white fixation ring with integrated inspection holes, fixed stainless steel pressing sleeve and leak function to connect alpex and turatec pipes to devices, fittings and shaped parts featuring Eurocone.

Cat. no.	Description	D [mm]	G ["]	L ₁ [mm]	Z ₁ [mm]	Weight [kg]	QTY [pcs]
8291671001	Eurocone 16-G3/4 MS	16	3/4	45	17	0,083	10
8292071001	Eurocone 20-G3/4 MS	20	3/4	53	24	0,096	10



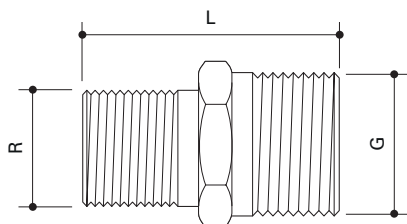
alpex-duo® XS / alpex L



alpex connection for compression coupling

Male thread connection coupling according to DIN EN 10226-1 and DIN EN ISO 228 made of nickel-plated brass to connect alpex compression coupling with Eurocone to fittings.

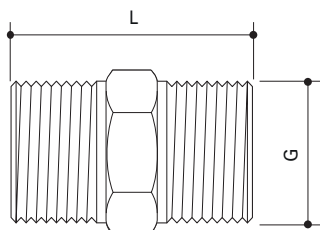
Cat. no.	Description	R ["]	G ["]	L [mm]	Weight [kg]	QTY [pcs]
72800712	Eurocone R1/2-G3/4 MS	1/2	3/4	29	0,055	25



alpex double nipple

Male thread connection coupling according to DIN EN ISO 228 made of nickel-plated brass to connect alpex compression coupling with Eurocone.

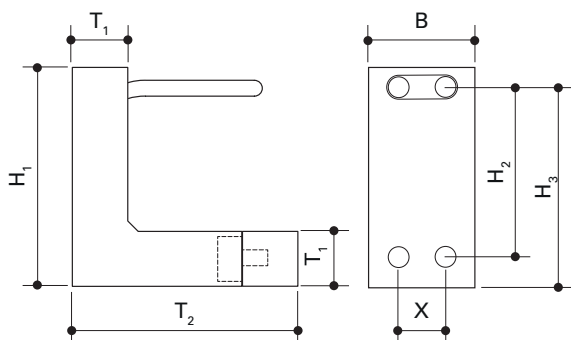
Cat. no.	Description	G ["]	L [mm]	Weight [kg]	QTY [pcs]
72800100	Eurocone G3/4-G3/4 MS	3/4	27	0,050	25



alpex F50 PROFI radiator connection block

Radiator connection block with integrated alpex multilayer composite pipe for wall connection of radiators including EPS insulation.

Cat. no.	Description	B [mm]	H ₁ [mm]	H ₂ [mm]	H ₃ [mm]	T ₁ [mm]	T ₂ [mm]	X [mm]	Weight [kg]	QTY [pcs]
75900401	16x2 - 260 mm	105	260	220	245	50	225	50	0,170	6
75900402	16x2 - 310 mm	105	310	270	295	50	225	50	0,190	6



alpex-duo® XS / alpex L

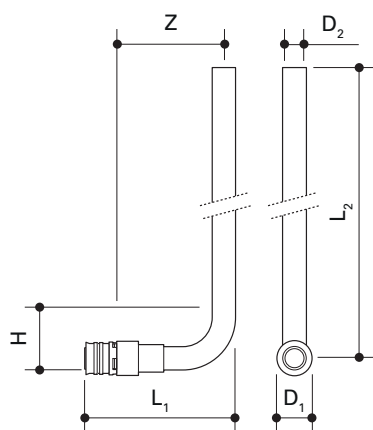


alpex-duo XS radiator connection bend

Pressing contours: **F TH**

Radiator connection bend made of brass with nickel-plated copper pipe 15x1 for wall or floor connection of radiators featuring a white fixation ring with integrated inspection holes, fixed stainless steel pressing sleeve and leak function.

Cat. no.	Description	D ₁ [mm]	D ₂ [mm]	L ₁ [mm]	L ₂ [mm]	H [mm]	Z [mm]	Weight [kg]	QTY [pcs]
82916733	16-15 CU -330	16	15x1	79	330	40	48	0,102	2

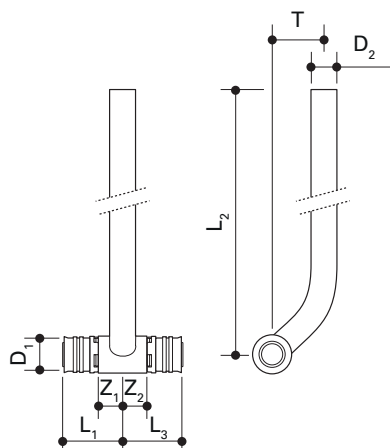


alpex-duo XS radiator connection tee

Pressing contours: **F TH**

Radiator connection tee made of brass with nickel-plated copper pipe 15x1 for wall or floor connection of radiators featuring a white fixation ring with integrated inspection holes, fixed stainless steel pressing sleeve and leak function.

Cat. no.	Description	D ₁ [mm]	D ₂ [mm]	L ₁ [mm]	L ₂ [mm]	L ₃ [mm]	Z ₁ [mm]	Z ₂ [mm]	T [mm]	Weight [kg]	QTY [pcs]
82916753	16-15 CU -330	16	15 x 1	40	330	40	12	12	15	0,193	2



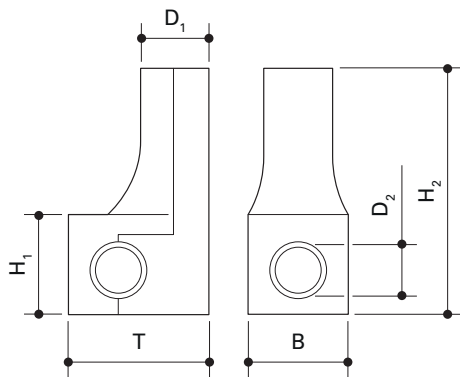
alpex-duo® XS / alpex L



alpex noise absorption kit

Noise absorption kit for radiator connection bend and tee to decouple from masonry and enhance noise insulation.

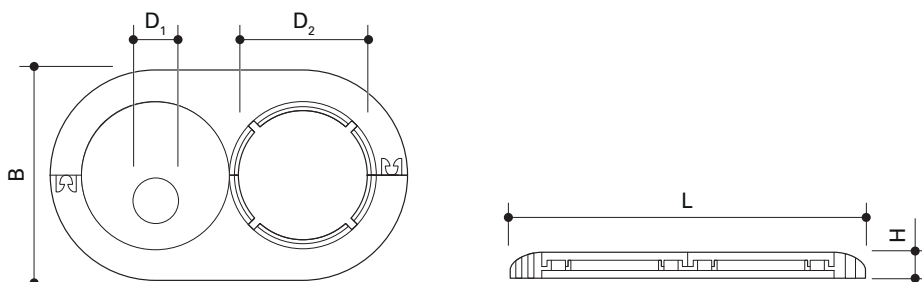
Cat. no.	Description	D ₁ [mm]	D ₂ [mm]	T [mm]	B [mm]	H ₁ [mm]	H ₂ [mm]	Weight [kg]	QTY [set]
85900100	for radiator connection tee/bend 16-20 mm	35	16-20	70	49	50	124	0,065	2



alpex double cover antique white

Two-piece double cover in antique white to cover wall or floor penetration, adjustable for 35-55 mm.

Cat. no.	Description	D ₁ [mm]	D ₂ [mm]	L [mm]	B [mm]	H [mm]	Weight [kg]	QTY [pcs]
75914800	adjustable 35-55 mm 14	14	45	113	70	12	0,020	50
75915800	adjustable 35-55 mm 15	15	45	113	70	12	0,020	50
75916800	adjustable 35-55 mm 16	16	45	113	70	12	0,020	50
75918800	adjustable 35-55 mm 20	20	45	113	70	12	0,020	50
72900802	adjustable 35-55 mm for slip-on sleeve 26	26	45	113	70	12	0,020	50

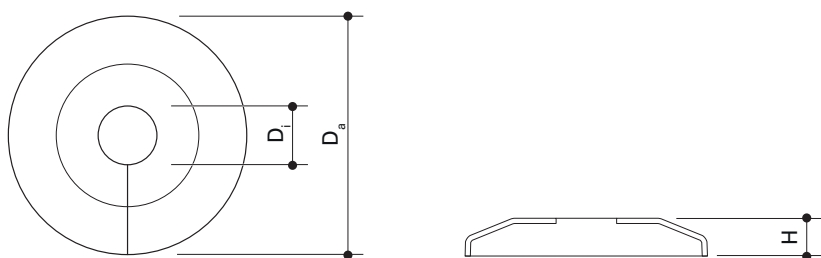


alpex-duo® XS / alpex L

**alpex single cover antique white**

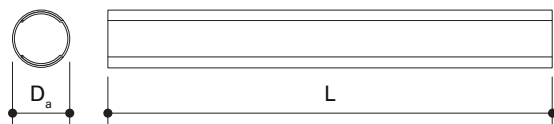
Single cover in antique white to cover wall or floor penetration.

Cat. no.	Description	D _i [mm]	D _a [mm]	H [mm]	Weight [kg]	QTY [pcs]
75915805	15	15	60	12	0,006	100
75916805	16	16	60	12	0,006	100
75920805	20	20	60	12	0,006	100
72900801	for slip-on sleeve 26	26	60	12	0,006	50

**alpex slip-on sleeve antique white**

Slip-on sleeve in antique white as protection and cladding for the pipes between the floor and radiator connection.

Cat. no.	Description	D _a [mm]	L [mm]	Weight [kg]	QTY [pcs]
72900216	26 x 200 mm	26	200	0,023	50



alpex-duo® XS / alpex L

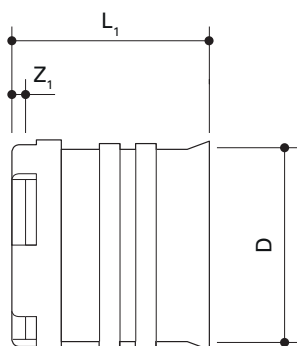


alpex-duo XS replacement pressing sleeve

Pressing contours: **F** **TH**

Replacement pressing sleeve made of stainless steel featuring fixation ring and inspection hole for alpex-duo XS press fittings.

Cat. no.	Description	D [mm]	L ₁ [mm]	Z ₁ [mm]	Weight [kg]	QTY [pcs]
82916505	with fixation ring 16	16	26	3	0,007	10
82920505	with fixation ring 20	20	27	3	0,009	10
82926505	with fixation ring 26	26	35	3	0,015	5
82932505	with fixation ring 32	32	35	3	0,018	5

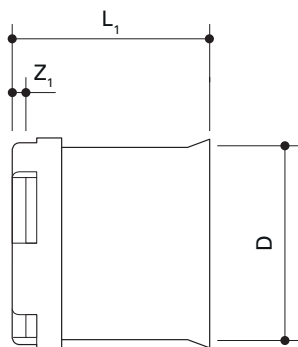


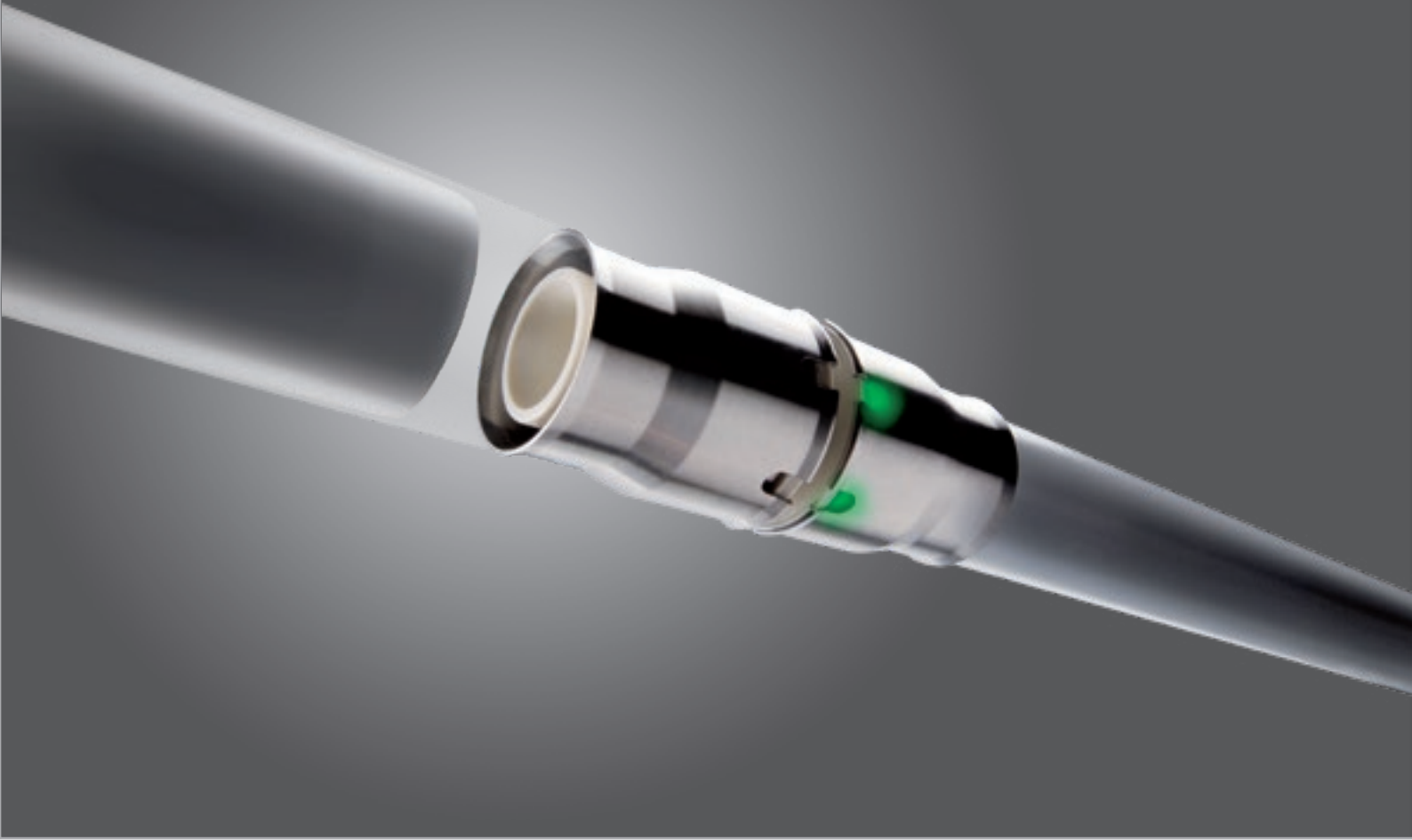
alpex L replacement pressing sleeve

Pressing contours: **F** **TH**

Replacement pressing sleeve made of stainless steel featuring fixation ring and inspection hole for alpex L press fittings.

Cat. no.	Description	D [mm]	L ₁ [mm]	Z ₁ [mm]	Weight [kg]	QTY [pcs]
86740505	with fixation ring 40	40	43	4	0,010	3
86750505	with fixation ring 50	50	51	4	0,013	2
86763505	with fixation ring 63	63	54	4	0,020	1
86775505	with fixation ring 75	75	54	4	0,025	1





alpex-plus® push-fit fittings in 16-26 mm

- Lead-free, compliance with German Environment Agency / Drinking Water Ordinance
- Ideal for confined construction site situations
- Compatible with all alpex, turatec and ff-therm pipes

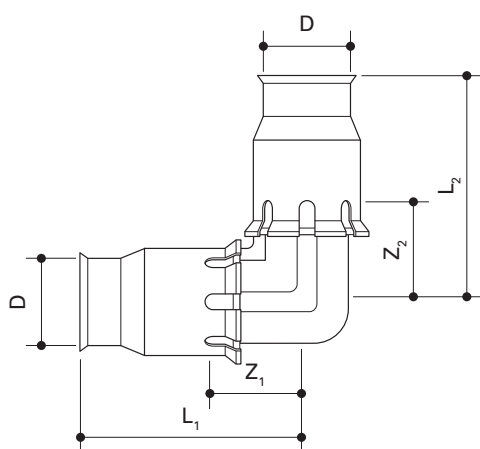
alpex-plus®



alpex-plus 90° elbow

90° elbow made of PPSU for drinking water and heating system installations featuring fixed stainless steel sleeves and optical indicators for verifying correct positioning. The connection can be released during installation in the dimensions of 16 and 20 mm by means of special tools.

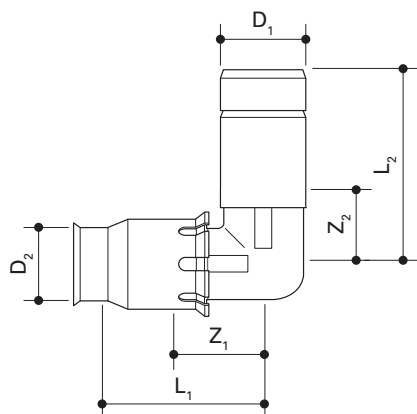
Cat. no.	Description	D [mm]	L ₁ [mm]	L ₂ [mm]	Z ₁ [mm]	Z ₂ [mm]	Weight [kg]	QTY [pcs]
88316200	16-16 PPSU	16	38	38	18	18	0,024	10
88320200	20-20 PPSU	20	44	44	20	20	0,033	10
88326200	26-26 PPSU	26	53	53	25	25	0,059	5



alpex-plus female/male push-fit elbow

90° elbow made of dezincification-resistant brass as a female/male variant for drinking water and heating system installations featuring fixed stainless steel sleeve and optical indicator for verifying correct positioning.

Cat. no.	Description	D ₁ [mm]	D ₂ [mm]	L ₁ [mm]	L ₂ [mm]	Z ₁ [mm]	Z ₂ [mm]	Weight [kg]	QTY [pcs]
87316880	16-16 MS	16	16	28	38	9	23	0,053	10
87320880	20-20 MS	20	20	33	43	11	23	0,080	10

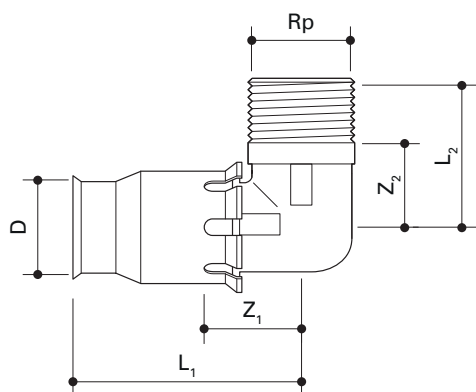


alpex-plus®

**alpex-plus elbow with MT**

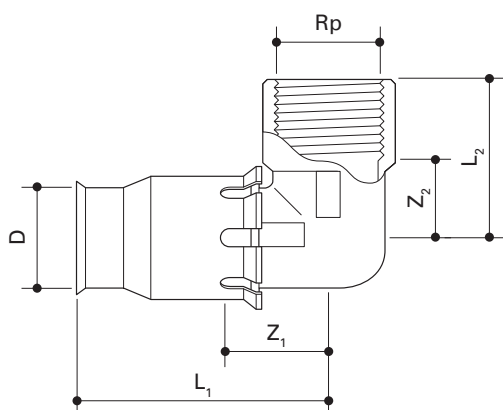
Male thread elbow adapter according to DIN EN 10226-1 made of dezincification-resistant brass for drinking water and heating system installations featuring fixed stainless steel sleeve and optical indicator for verifying correct positioning. The connection can be released during installation in the dimensions of 16 and 20 mm by means of special tools.

Cat. no.	Description	D [mm]	Rp ["]	L ₁ [mm]	L ₂ [mm]	Z ₁ [mm]	Z ₂ [mm]	Weight [kg]	QTY [pcs]
87316782	16-R1/2 MS	16	1/2	44	30	22	17	0,081	10
87320782	20-R1/2 MS	20	1/2	46	30	22	17	0,099	10
87320783	20-R3/4 MS	20	3/4	46	30	20	15	0,104	10
87326783	26-R3/4 MS	26	3/4	51	36	20	21	0,155	5

**alpex-plus elbow with FT**

Female thread elbow adapter according to DIN EN 10226-1 made of dezincification-resistant brass for drinking water and heating system installations featuring fixed stainless steel sleeve and optical indicator for verifying correct positioning. The connection can be released during installation in the dimensions of 16 and 20 mm by means of special tools.

Cat. no.	Description	D [mm]	Rp ["]	L ₁ [mm]	L ₂ [mm]	Z ₁ [mm]	Z ₂ [mm]	Weight [kg]	QTY [pcs]
87316792	16-Rp1/2 MS	16	1/2	43	30	17	23	0,092	10
87320792	20-Rp1/2 MS	20	1/2	46	30	15	23	0,107	10
87320793	20-Rp3/4 MS	20	3/4	46	30	17	23	0,129	10
87326793	26-Rp3/4 MS	26	3/4	51	37	20	25	0,175	5



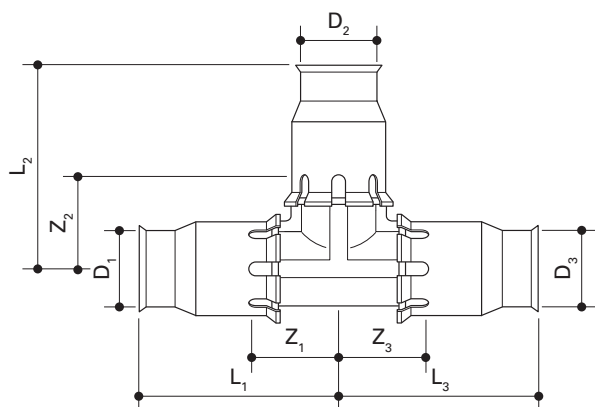
alpex-plus®



alpex-plus tee

Tee made of PPSU for drinking water and heating system installations featuring fixed stainless steel sleeves and optical indicators for verifying correct positioning. The connection can be released during installation in the dimensions of 16 and 20 mm by means of special tools.

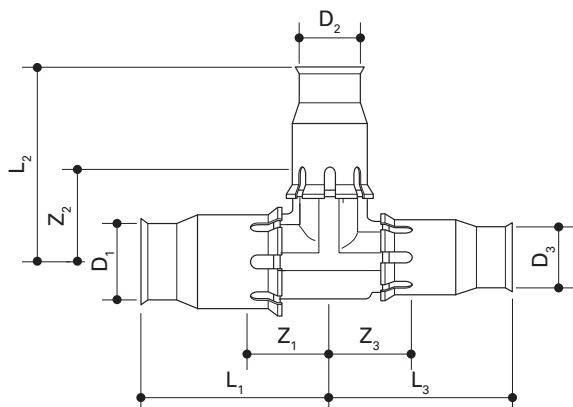
Cat. no.	Description	D ₁ [mm]	D ₂ [mm]	D ₃ [mm]	L ₁ [mm]	L ₂ [mm]	L ₃ [mm]	Z ₁ [mm]	Z ₂ [mm]	Z ₃ [mm]	Weight [kg]	QTY [pcs]
88316300	16-16-16 PPSU	16	16	16	40	40	40	21	21	21	0,038	10
88320300	20-20-20 PPSU	20	20	20	43	43	43	21	21	21	0,050	10
88326300	26-26-26 PPSU	26	26	26	53	53	53	25	25	25	0,086	5



alpex-plus reduced tee

Reduced tee made of PPSU for drinking water and heating system installations featuring fixed stainless steel sleeves and optical indicators for verifying correct positioning. The connection can be released during installation in the dimensions of 16 and 20 mm by means of special tools.

Cat. no.	Description	D ₁ [mm]	D ₂ [mm]	D ₃ [mm]	L ₁ [mm]	L ₂ [mm]	L ₃ [mm]	Z ₁ [mm]	Z ₂ [mm]	Z ₃ [mm]	Weight [kg]	QTY [pcs]
88320333	20-16-16 PPSU	20	16	16	40	41	38	21	21	21	0,040	10
88320330	20-16-20 PPSU	20	16	20	40	41	41	21	21	21	0,045	10
88320303	20-20-16 PPSU	20	20	16	43	40	44	15	18	18	0,046	10
88326335	26-16-20 PPSU	26	16	20	45	47	43	25	20	20	0,058	5
88326330	26-16-26 PPSU	26	16	26	45	47	47	25	20	20	0,068	5
88326355	26-20-20 PPSU	26	20	20	48	50	43	25	22	22	0,064	5
88326350	26-20-26 PPSU	26	20	26	48	50	50	25	22	22	0,074	5



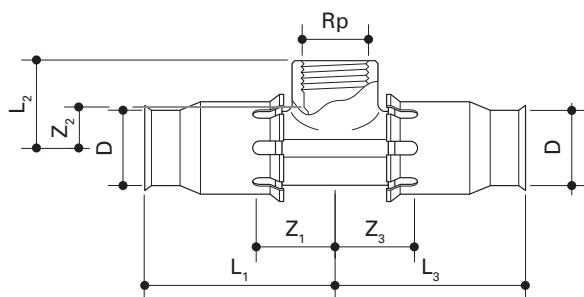
alpex-plus®



alpex-plus tee with FT

Female thread tee according to DIN EN 10226-1 made of dezincification-resistant brass for drinking water and heating system installations featuring fixed stainless steel sleeves and optical indicators for verifying correct positioning. The connection can be released during installation in the dimensions of 16 and 20 mm by means of special tools.

Cat. no.	Description	D [mm]	Rp ["]	L ₁ [mm]	L ₂ [mm]	L ₃ [mm]	Z ₁ [mm]	Z ₂ [mm]	Z ₃ [mm]	Weight [kg]	QTY [pcs]
87316742	16-Rp1/2-16 MS	16	1/2	40	18	40	21	5	21	0,107	10
87320742	20-Rp1/2-20 MS	20	1/2	43	19	43	21	6	21	0,135	10
87320743	20-Rp3/4-20 MS	20	3/4	47	19	47	24	6	24	0,162	10
87326743	26-Rp3/4-26 MS	26	3/4	52	22	52	24	7	24	0,224	5

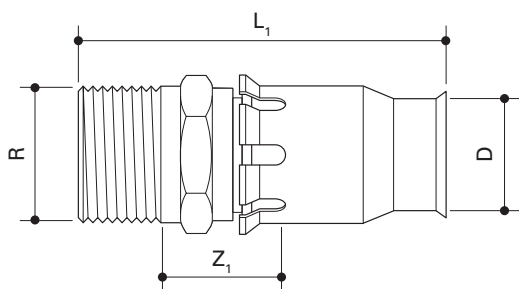


alpex-plus adapter with MT



Male thread adapter according to DIN EN 10226-1 made of dezincification-resistant brass for drinking water and heating system installations featuring fixed stainless steel sleeve and optical indicator for verifying correct positioning. The connection can be released during installation in the dimensions of 16 and 20 mm by means of special tools.

Cat. no.	Description	D [mm]	R ["]	L ₁ [mm]	Z ₁ [mm]	Weight [kg]	QTY [pcs]
87316762	16-R1/2 MS	16	1/2	49	13	0,066	10
87320762	20-R1/2 MS	20	1/2	52	14	0,076	10
87320763	20-R3/4 MS	20	3/4	55	16	0,098	10
87326763	26-R3/4 MS	26	3/4	59	17	0,122	5
87326764	26-R1 MS	26	1	63	19	0,193	5



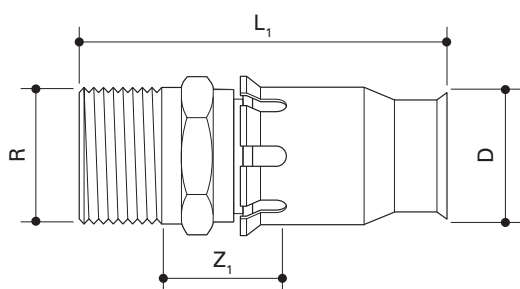
alpex-plus®



alpex-plus adapter with MT

Male thread adapter according to DIN EN 10226-1 made of PPSU for drinking water and heating system installations featuring fixed stainless steel sleeve and optical indicator for verifying correct positioning. The connection can be released during installation in the dimensions of 16 and 20 mm by means of special tools.

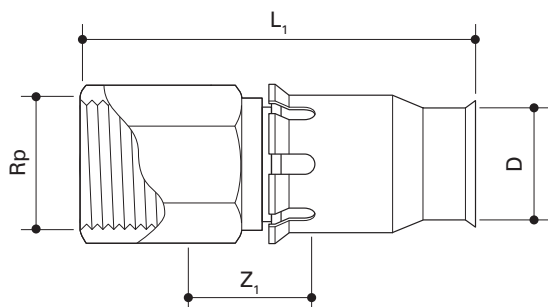
Cat. no.	Description	D [mm]	R ["]	L ₁ [mm]	Z ₁ [mm]	Weight [kg]	QTY [pcs]
88316762	16-R1/2 PPSU	16	1/2	52	13	0.020	10
88320762	20-R1/2 PPSU	20	1/2	55	13	0.024	10
88320763	20-R3/4 PPSU	20	3/4	55	13	0.025	10



alpex-plus adapter with FT

Female thread adapter according to DIN EN 10226-1 made of dezincification-resistant brass for drinking water and heating system installations featuring fixed stainless steel sleeve and optical indicator for verifying correct positioning. The connection can be released during installation in the dimensions of 16 and 20 mm by means of special tools.

Cat. no.	Description	D [mm]	Rp ["]	L ₁ [mm]	Z ₁ [mm]	Weight [kg]	QTY [pcs]
87316772	16-Rp1/2 MS	16	1/2	47	12	0,082	10
87320772	20-Rp1/2 MS	20	1/2	50	12	0,092	10
87320773	20-Rp3/4 MS	20	3/4	53	13	0,110	10
87326773	26-Rp3/4 MS	26	3/4	57	14	0,142	5
87326774	26-Rp1 MS	26	1	60	16	0,209	5



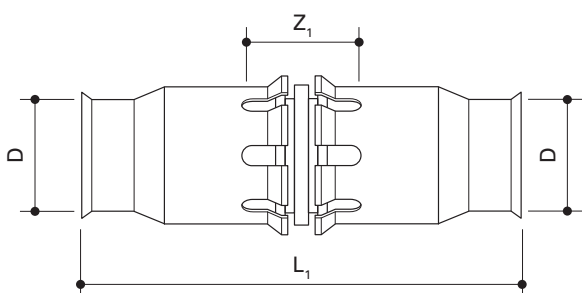
alpex-plus®



alpex-plus coupling

Coupling made of PPSU for drinking water and heating system installations featuring fixed stainless steel sleeves and optical indicators for verifying correct positioning. The connection can be released during installation in the dimensions of 16 and 20 mm by means of special tools.

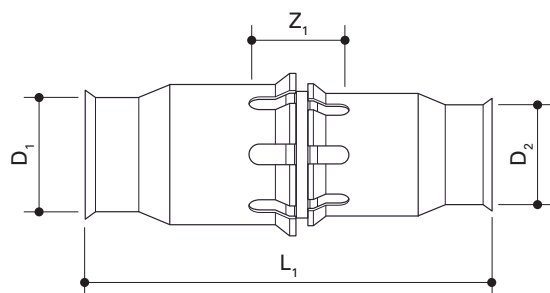
Cat. no.	Description	D [mm]	L ₁ [mm]	Z ₁ [mm]	Weight [kg]	QTY [pcs]
88316100	16-16 PPSU	16	54	14	0,022	10
88320100	20-20 PPSU	20	60	14	0,031	10
88326100	26-26 PPSU	26	69	13	0,050	5



alpex-plus reduced coupling

Reduced coupling made of PPSU for drinking water and heating system installations featuring fixed stainless steel sleeves and optical indicators for verifying correct positioning. The connection can be released during installation in the dimensions of 16 and 20 mm by means of special tools.

Cat. no.	Description	D ₁ [mm]	D ₂ [mm]	L ₁ [mm]	Z ₁ [mm]	Weight [kg]	QTY [pcs]
88320130	20-16 PPSU	20	16	56	13	0,026	10
88326130	26-16 PPSU	26	16	61	14	0,036	5
88326150	26-20 PPSU	26	20	64	14	0,040	5

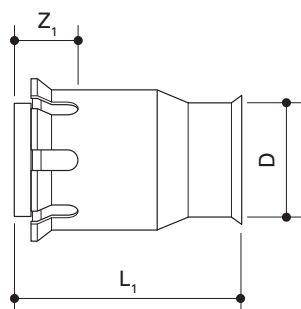


alpex-plus®

**alpex-plus end cap**

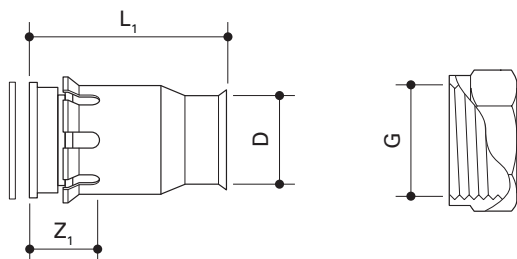
End cap made of PPSU to seal pipe ends in drinking water and heating systems featuring fixed stainless steel sleeve and optical indicator for verifying correct positioning. The connection can be released during installation in the dimensions of 16 and 20 mm by means of special tools.

Cat. no.	Description	D [mm]	L ₁ [mm]	Z ₁ [mm]	Weight [kg]	QTY [pcs]
88316820	16 mm PPSU	16	28	6	0,012	10

**alpex-plus transition coupling**

Flat-sealing adapter made of dezincification-resistant brass to create detachable connections in drinking water and heating systems featuring fixed stainless steel sleeve and optical indicator for verifying correct positioning. The connection can be released during installation in the dimensions of 16 and 20 mm by means of special tools.

Cat. no.	Description	D [mm]	G ["]	L ₁ [mm]	Z ₁ [mm]	Weight [kg]	QTY [pcs]
87316672	flat-sealing 16-G1/2 MS	16	1/2	41	22	0,061	10
87316673	flat-sealing 16-G3/4 MS	16	3/4	33	22	0,070	10
87320672	flat-sealing 20-G1/2 MS	20	1/2	44	22	0,069	10
87320673	flat-sealing 20-G3/4 MS	20	3/4	44	22	0,093	10
87326674	flat-sealing 26-G1 MS	26	1	53	25	0,155	5



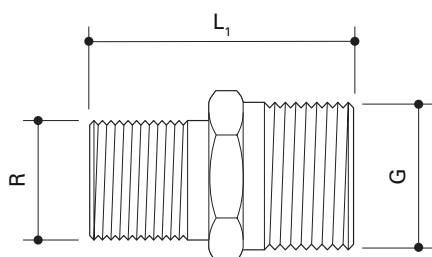
alpex-plus®



alpex connection coupling

Flat-sealing connection coupling made of brass to create detachable connections in combination with alpex flat-sealing adapters. R-thread according to DIN EN 10226-1, G-thread according to DIN EN ISO 228-1.

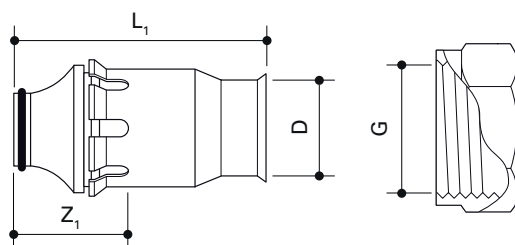
Cat. no.	Description	R ["]	G ["]	L ₁ [mm]	Weight [kg]	QTY [pcs]
85900932	flat-sealing R1/2-G3/4 MS	1/2	3/4	35	0,094	10
85900943	flat-sealing R3/4-G1 MS	3/4	1	40	0,159	10



alpex-plus push-fit connection

Female thread push-fit connection coupling according to DIN EN ISO 228 and Eurocone made of PPSU featuring fixed stainless steel sleeve and optical indicator for verifying correct positioning to connect alpex and turatec pipes to devices, fittings and shaped parts featuring Eurocone. The connection can be released during installation in the dimensions of 16 and 20 mm by means of special tools.

Cat. no.	Description	D [mm]	G ["]	L ₁ [mm]	Z ₁ [mm]	Weight [kg]	QTY [pcs]
88316710	Eurocone 16-G3/4 PPSU	16	3/4	37	17	0,045	10



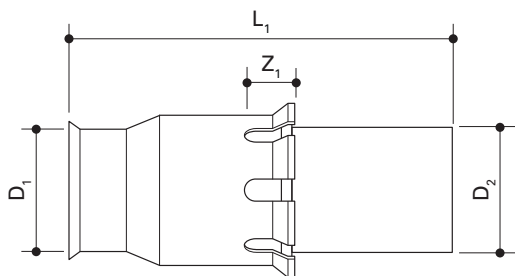
alpex-plus®

alpex-plus press adapter, SST/CU



Press adapter made of dezincification-resistant brass to connect alpex and turatec multilayer composite pipes with copper, carbon steel or stainless steel pressing systems with V- or M-contour in drinking water and heating systems featuring fixed stainless steel sleeve and optical indicator for verifying correct positioning. The connection can be released during installation in the dimensions of 16 and 20 mm by means of special tools.

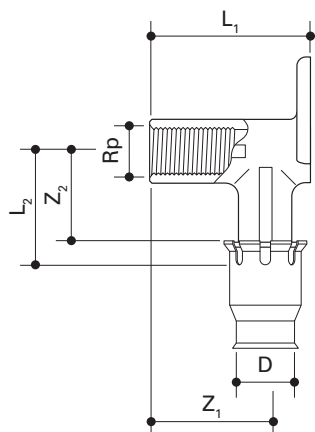
Cat. no.	Description	D ₁ [mm]	D ₂ [mm]	L ₁ [mm]	Z ₁ [mm]	Weight [kg]	QTY [pcs]
87316736	16-15 MS	16	15	57	11	0,047	10
87320737	20-22 MS	20	22	60	8	0,069	10
87326736	26-22 MS	26	22	64	8	0,095	5



alpex-plus wall mount elbow

Female thread 35 mm wall mount elbow according to DIN EN 10226-1 made of dezincification-resistant brass for fitting connection in tee and serial installations in drinking water systems featuring fixed stainless steel sleeve and optical indicator for verifying correct positioning. The connection can be released during installation in the dimensions of 16 and 20 mm by means of special tools.

Cat. no.	Description	D [mm]	Rp ["]	L ₁ [mm]	L ₂ [mm]	Z ₁ [mm]	Z ₂ [mm]	Weight [kg]	QTY [pcs]
87316720	35 mm 16-Rp1/2 MS	16	1/2	35	43	18	23	0,122	10
87320720	35 mm 20-Rp1/2 MS	20	1/2	35	46	18	23	0,133	10
87320723	35 mm 20-Rp3/4 MS	20	3/4	35	48	17	25	0,144	10

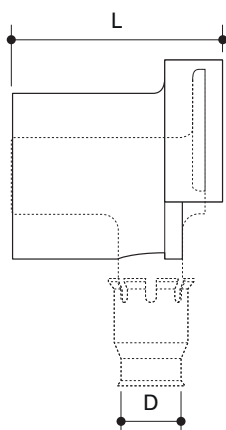


alpex-plus®

**alpex noise absorption kit for wall mount elbow 35 mm**

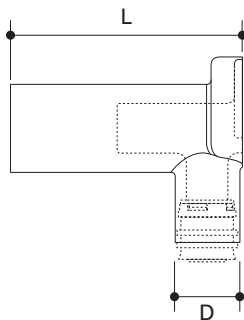
Noise absorption kit for wall mount elbow 35 mm to decouple from masonry and enhance noise insulation.

Cat. no.	Description	D [mm]	L [mm]	Weight [kg]	QTY [pcs]
84916215	for wall mount elbow 35 mm Rp1/2	16-20	56	0,031	10
84926215	for wall mount elbow 35 mm Rp3/4	20	56	0,025	10

**alpex sealing****NEW**

Sealing made of TPE for wall mount elbows with integrally moulded sealing sleeve. As wall lead-through for walls in wet areas according to DIN 18534 and to decouple from masonry and enhance noise insulation.

Cat. no.	Description	D [mm]	L [mm]	Weight [kg]	QTY [pcs]
84916315	for wall mount elbow 35-78 mm 1/2"	16-20	100	0,048	10
84926315	for wall mount elbow 35 mm 3/4"	20-26	100	0,052	10

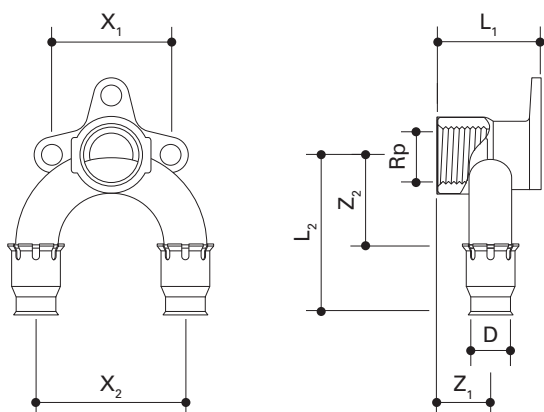


alpex-plus®

**alpex-plus double wall mount elbow**

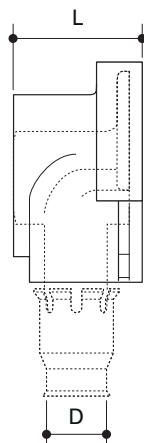
Female thread 35 mm double wall mount elbow according to DIN EN 10226-1 made of dezincification-resistant brass for fitting connection in loop and serial installations in drinking water systems featuring fixed stainless steel sleeve and optical indicator for verifying correct positioning. The connection can be released during installation in the dimensions of 16 and 20 mm by means of special tools.

Cat. no.	Description	D [mm]	Rp ["]	L ₁ [mm]	L ₂ [mm]	Z ₁ [mm]	Z ₂ [mm]	X ₁ [mm]	X ₂ [mm]	Weight [kg]	QTY [pcs]
87316749	35 mm 16-Rp1/2-16 MS	16	1/2	35	43	18	39	40	50	0,199	10
87320749	35 mm 20-Rp1/2-20 MS	20	1/2	35	46	18	39	40	50	0,234	10

**alpex noise absorption kit for double wall mount elbow 35 mm**

Noise absorption kit for double wall mount elbow 35 mm to decouple from masonry and maintain noise insulation.

Cat. no.	Description	D [mm]	L [mm]	Weight [kg]	QTY [pcs]
84900216	for 35 mm double wall mount elbow 16-Rp1/2-16 / 20-Rp1/2-20	16-20	44	0,023	5



alpex-plus®

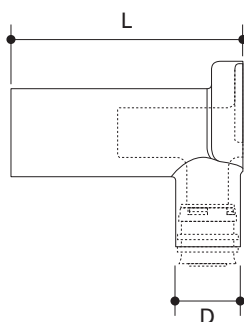


alpex sealing

NEW

Sealing made of TPE for double wall mount elbows with integrally moulded sealing sleeve. As wall lead-through for walls in wet areas according to DIN 18534 and to decouple from masonry and enhance noise insulation.

Cat. no.	Description	D [mm]	L [mm]	Weight [kg]	QTY [pcs]
84916316	for double wall mount elbow 1/2" 35 mm	16-20	100	0,053	10

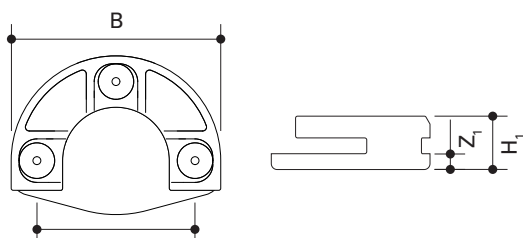


alpex insulation pad

NEW

Insulation pad made of TPE to decouple wall mount elbows from masonry or mounting rails and plates and to improve noise insulation. If the distance between the wall mount elbow and the wall/rail is too small, you can also use the insulation underlay as a spacing plate.

Cat. no.	Description	H ₁ [mm]	Z ₁ [mm]	X [mm]	B [mm]	Weight [kg]	QTY [pcs]
84900315	for wall mount elbow 35-78 mm	11	4	40	53	0,013	10

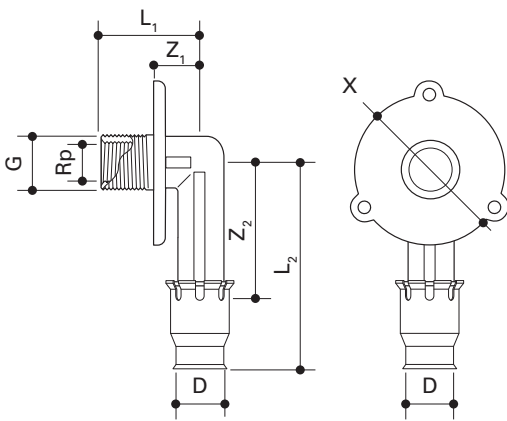


alpex-plus®

**alpex-plus concealed cistern elbow**

Male and female thread 90° elbow with flange made of dezincification-resistant brass to install in concealed toilet cisterns or light-weight walls in drinking water systems featuring fixed stainless steel sleeve and optical indicator for verifying correct positioning. The connection can be released during installation in the dimensions of 16 and 20 mm by means of special tools.

Cat. no.	Description	D [mm]	Rp ["]	G ["]	L ₁ [mm]	L ₂ [mm]	X [mm]	Z ₁ [mm]	Z ₂ [mm]	Weight [kg]	QTY [pcs]
87316724	24 mm - 16-Rp1/2-G3/4 MS	16	1/2	3/4	35	42	50	18	32	0,208	10

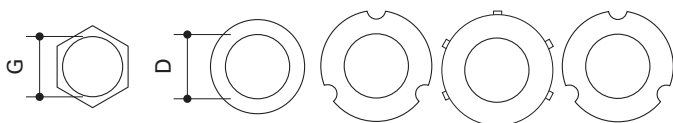


alpex-plus®

**alpex drywall type assembly kit****NEW**

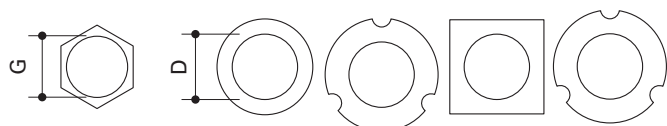
Drywall type assembly kit for alpex-plus concealed cistern elbow comprising anti-twisting device, spacer washer, sound-absorbing layer, and locknut made of PA with 3/4" female thread to install in drywall.

Cat. no.	Description	D [mm]	G ["]	Weight [kg]	QTY [pcs]
89516707	drywall type	30	3/4	0,031	1

**alpex concealed type assembly kit****NEW**

Concealed type assembly kit for alpex-plus concealed cistern elbow comprising spacer washer, sound-absorbing layer, and locknut made of PA with 3/4" female thread to install in concealed toilet cisterns.

Cat. no.	Description	D [mm]	G ["]	Weight [kg]	QTY [pcs]
89516706	concealed type	30	3/4	0,016	1

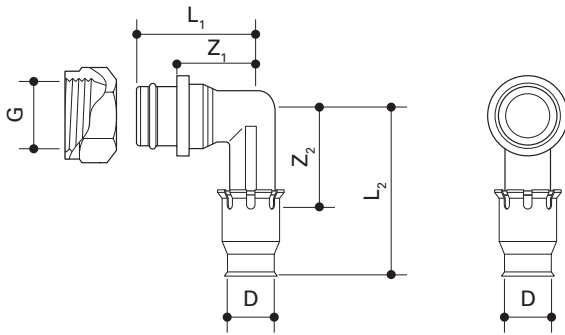


alpex-plus®

**alpex-plus elbow adapter**

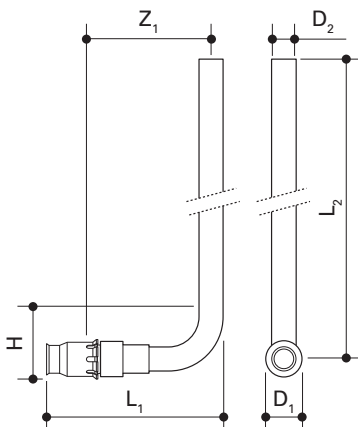
Female thread elbow adapter according to DIN EN ISO 228 made of dezincification-resistant brass to connect Geberit concealed toilet cisterns as of 2002, MeplaFix / MasterFix connections (male thread MF 1/2), Conel VIS mounting elements, Conel Vigour bathtub drain and overflow sets, Sanit Ineo WC and urinal elements, Sanit Swing bathtub drain and overflow sets and Viega wall plates for Prevista featuring fixed stainless steel sleeve and optical indicator for verifying correct positioning. The connection can be released during installation in the dimensions of 16 and 20 mm by means of special tools.

Cat. no.	Description	D [mm]	G ["]	L ₁ [mm]	L ₂ [mm]	Z ₁ [mm]	Z ₂ [mm]	Weight [kg]	QTY [pcs]
87316850	Fix connector uni 16-G1/2 MS	16	1/2	33	40	23	20	0,088	10

**alpex-plus radiator connection bend**

Radiator connection bend made of brass with nickel-plated copper pipe 15x1 for wall or floor connection of radiators. With fixed stainless steel sleeve and optical indicator for verifying correct positioning. The connection can be released during installation in the dimensions of 16 and 20 mm by means of special tools.

Cat. no.	Description	D ₁ [mm]	D ₂ [mm]	L ₁ [mm]	L ₂ [mm]	H [mm]	Z ₁ [mm]	Weight [kg]	QTY [pcs]
87316733	16x2 - 15x1 - 330 mm	16	15x1	77	330	40	52	0,179	2

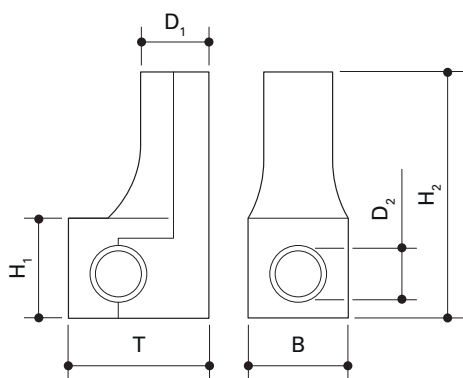


alpex-plus®

**alpex noise absorption kit**

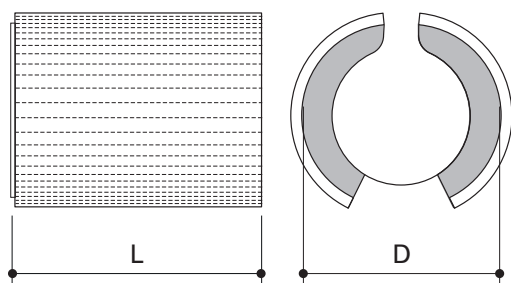
Noise absorption kit for radiator connection bend and tee to decouple from masonry and enhance noise insulation.

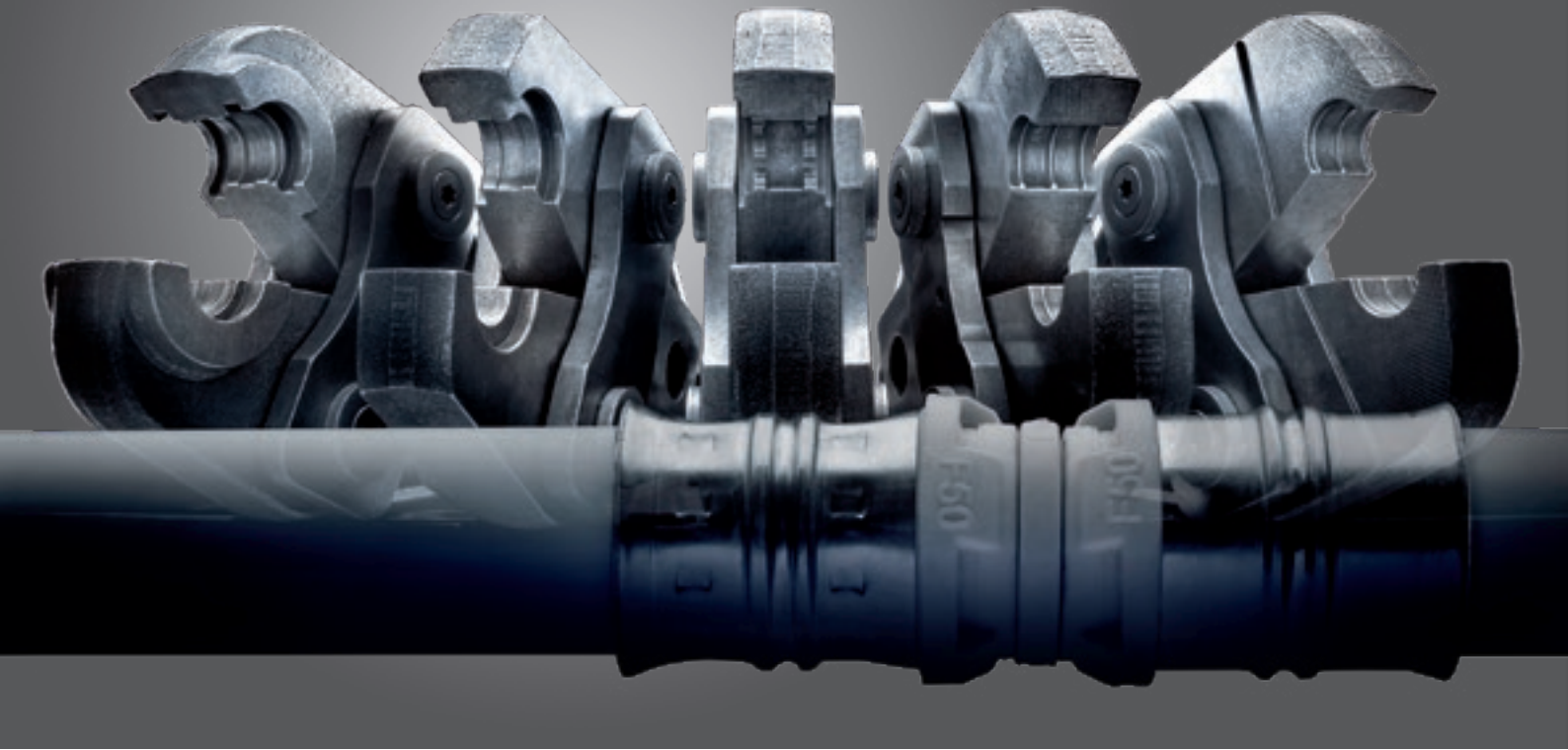
Cat. no.	Description	D ₁ [mm]	D ₂ [mm]	B [mm]	H ₁ [mm]	H ₂ [mm]	T [mm]	Weight [kg]	QTY [pcs]
85900100	for radiator connection tee/bend	35	16–20	49	50	124	70	0,065	2

**alpex-plus removal tool**

Removal tool to release alpex-plus connections during installation.

Cat. no.	Description	D [mm]	L [mm]	Weight [kg]	QTY [pcs]
88316900	16	27	28	0,029	1
88320900	20	30	33	0,046	1





alpex tools

- High-quality tools matching our products
- To enable proper installation of alpex systems
- To enable proper installation of ff-therm

alpex tools



alpex press jaw with F-contour

Press jaw with F-contour suited for third-party tools. For information on approved pressing tools, see the compatibility list or on request.

Cat. no.	Description	Weight [kg]	QTY [pcs]
79016600	F-contour 16	1.95	1
79020600	F-contour 20	1.93	1
79026600	F-contour 26	2.05	1
79032600	F-contour 32	2.10	1
79040500	F-contour 40	2.02	1
79050500	F-contour 50	2.40	1
79063500	F-contour 63	5.00	1
79075500	F-contour 75	5.00	1



alpex press jaw with F-contour mini

Press jaw mini with F-contour suited for mini pressing tools by REMS/ROLLER. For information on approved pressing tools, see the compatibility list or on request.

Cat. no.	Description	Weight [kg]	QTY [pcs]
79016620	REMS/ROLLER MultiPress mini ACC 16	1.19	1
79020620	REMS/ROLLER MultiPress mini ACC 20	1.18	1
79026620	REMS/ROLLER MultiPress mini ACC 26	1.23	1
79032620	REMS/ROLLER MultiPress mini ACC 32	1.17	1
79040620	REMS/ROLLER MultiPress mini ACC 40	1.24	1



alpex installation aid

Deburring tool for professional deburring of alpex and turatec multi pipes.

Cat. no.	Description	Weight [kg]	QTY [pcs]
79002208	Installation aid yellow 14 – 75	0,065	1



alpex inside/outside deburring tool

Combined deburring and calibration tool for professional external and internal deburring of alpex and turatec pipes.

Cat. no.	Description	Weight [kg]	QTY [pcs]
79002211	① 14-20 mm	0.290	1
79002213	② 16-32 mm	0.400	1

alpex tools



alpex deburring tool

Individual deburring and calibration tool for professional deburring of alpex and turatec pipes.

Cat. no.	Description	Weight [kg]	QTY [pcs]
79040218	① 40	0.335	1
79050218	① 50	0.455	1
79063218	② 63	0.780	1
79075218	② 75	0.700	1



alpex deburring tool

Deburring and calibration tool kit for professional external and internal deburring of alpex and turatec pipes.

Cat. no.	Description	Weight [kg]	QTY [pcs]
79002250	inside/outside deburring tool 16-32 mm	0.890	1
79016250	individual deburrer 16	0.064	1
79020250	individual deburrer 20	0.083	1
79026250	individual deburrer 26	0.118	1
79032250	individual deburrer 32	0.187	1
79000251	T-handle for individual deburrer	0.107	1



alpex tool box kit

The kit includes a tool box 16-50 mm without contents, one alpex press jaw 16, 20, 26 and 32 mm each, one alpex pipe cutter 16-40 mm and one deburring and calibration tool 16-32 mm. The tool box can be completed with one alpex press jaw 40 and 50 mm each, as well as one deburring and calibration tool 40 and 50 mm each.

Cat. no.	Description	Weight [kg]	QTY [kit]
79000306	box kit 16-32 mm	10.80	1
79000307	box without contents for 16-50 mm	1.600	1



alpex pipe cutter

Pipe cutter and replacement cutting wheels for professional cutting of alpex and turatec pipes 16 - 75 mm.

Cat. no.	Description	Weight [kg]	QTY [pcs]
79000225	① pipe cutter for multilayer composite pipes 16-40 mm	0.500	1
79000228	② pipe cutter for multilayer composite pipes 16-75 mm	0.950	1
79000227	replacement cutting wheels for pipe cutter 16-40	0.008	1
79000229	replacement cutting wheels for pipe cutter 16-75	0.014	1

alpex tools



alpex pipe shears with retaining function

Pipe shears and replacement blade for professional cutting of alpex, turatec and ff-therm pipes up to 20 mm.

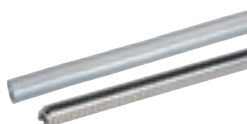
Cat. no.	Description	Weight [kg]	QTY [pcs]
79000223	pipe shears for alpex, turatec and ff-therm pipes up to 20 mm	0.470	1
79000221	replacement blade for combination/pipe shears	0.020	1



alpex combination shears

Combination shears with integrated protective sheathing blade and replacement blade for cutting alpex, turatec and ff-therm pipes up to 20 mm.

Cat. no.	Description	Weight [kg]	QTY [pcs]
79000220	combination shears for alpex, turatec and ff-therm pipes up to 20 mm	0.341	1
79000221	replacement blade for combination/pipe shears	0.020	1
79000222	replacement blade for protective sheathing for combination shears	0.030	1



alpex bending spring

Bending spring made of galvanised spring steel to bend alpex and turatec pipes 16 and 20 mm.

Cat. no.	Description	Weight [kg]	QTY [pcs]
79116640	internal bending spring 16 x 2	0.220	1
79120640	internal bending spring 20 x 2	0.300	1
79116850	external bending spring 16	0.450	1
79120850	external bending spring 20	0.540	1

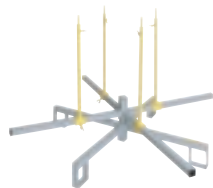


alpex pipe bender set 2x D

Pipe bender to create narrow pipe bends with 2x outside diameter of alpex and turatec pipes 16 and 20 mm.

Cat. no.	Description	Weight [kg]	QTY [kit]
79100630	16-20 mm	2.50	1

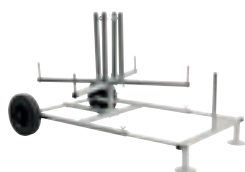
alpex tools



alpex pipe uncoiler compact

Compact pipe uncoiler to install alpex, turatec or ff-therm pipes up to a coil size of 600 m. Adjustable uncoiler bars for different core diameters and coil bundle heights. Support diameter from 44 - 110 cm.

Cat. no.	Description	Weight [kg]	QTY [pcs]
79200800	for coils up to 600 m	15.00	1



alpex pipe uncoiler mobile

Mobile pipe uncoiler to install alpex, turatec or ff-therm pipes up to a coil size of 600 m. Adjustable uncoiler bars for different core diameters and coil bundle heights. Support diameter from 44 - 110 cm.

Cat. no.	Description	Weight [kg]	QTY [pcs]
79200900	for coils up to 600 m	19.00	1



alpex pressure test plug

Reusable female thread pressure test plug according to DIN EN 10226-1 to pressure-test alpex and turatec pipes up to 15 bar.

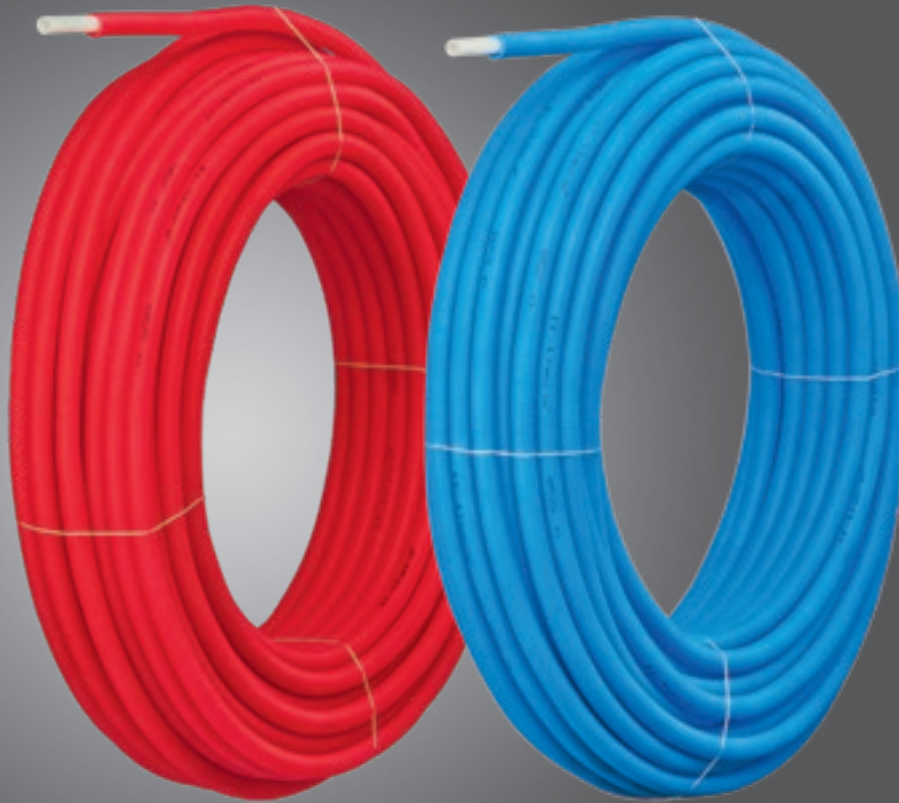
Cat. no.	Description	Weight [kg]	QTY [pcs]
79116001	16-Rp1/2	0.055	1
79120001	20-Rp1/2	0.060	1



alpex pressure test plug with vent plug

Reusable female thread pressure test plug according to DIN EN 10226-1 and vent plug to pressure-test alpex and turatec pipes up to 15 bar.

Cat. no.	Description	Weight [kg]	QTY [pcs]
79116000	16	0.190	1
79120000	20	0.220	1
79126000	26	0.250	1
79132000	32	0.375	1



ff-therm[®] / profitherm[®]

- Flexible floor and wall installation system
- For modern radiant heating and cooling systems
- Suited for all press fittings and alpex-plus push-fit fittings in dimensions of 16x2 and 20x2 mm

ff-therm® / profitherm®

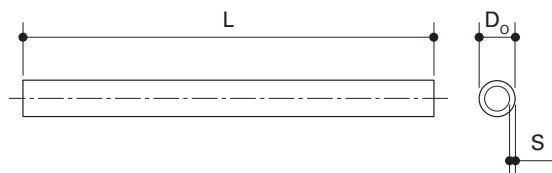


ff-therm multi pipe Difustop PE-Xa

Transparent solid plastic pipe in coils made of cross-linked polyethylene (PE-Xa) according to EN ISO 15875, with diffusion barrier, impermeable to oxygen according to DIN 4726, for heating and cooling system installations.

- Maximum constant operating pressure: 6 bar
- Maximum continuous operating temperature: 95 °C

Cat. no.	Description	D _o [mm]	S [mm]	L [m]	Weight [kg]	QTY [m]
71012700	in coils 12x2	12	2	200	14.20	200
71014700	in coils 14x2	14	2	200	16.00	200
71014900	in coils 14x2	14	2	600	48.00	600
71016700	in coils 16x2	16	2	200	18.20	200
71016900	in coils 16x2	16	2	600	54.60	600
71017700	in coils 17x2	17	2	200	19.60	200
71017900	in coils 17x2	17	2	600	58.80	600
71018700	in coils 18x2	18	2	200	20.80	200
71018900	in coils 18x2	18	2	600	62.40	600
71020700	in coils 20x2	20	2	200	23.60	200
71020919	in coils 20x2	20	2	500	59.00	500
71025700	in coils 25x2.3	25	2.3	200	36.00	200



ff-therm® / profitherm®

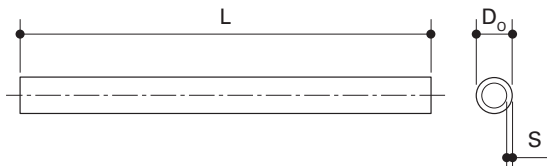


ff-therm multi pipe Difustop PE-RT

Transparent solid plastic pipe in coils made of polyethylene (PE-RT) according to DIN 16833, with diffusion barrier, impermeable to oxygen according to DIN 4726, for heating and cooling system installations.

- Maximum constant operating pressure: 6 bar
- Maximum continuous operating temperature: 70 °C

Cat. no.	Description	D _o [mm]	S [mm]	L [m]	Weight [kg]	QTY [m]
75016700	in coils 16x2	16	2	200	18.70	200
75016900	in coils 16x2	16	2	600	56.10	600
75017700	in coils 17x2	17	2	200	20.10	200
75017900	in coils 17x2	17	2	600	60.30	600
75020700	in coils 20x2	20	2	200	24.07	200
75020900	in coils 20x2	20	2	500	60.18	500

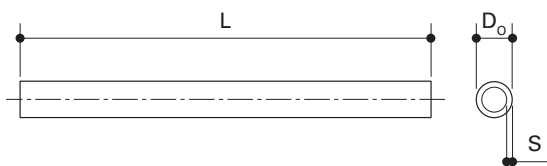


ff-therm ML5 pipe Difustop PE-Xb

Transparent solid plastic pipe in coils made of cross-linked polyethylene (PE-Xb), with central layer of EVOH, impermeable to oxygen according to DIN 4726, for heating and cooling system installations.

- Maximum constant operating pressure: 6 bar
- Maximum continuous operating temperature: 95 °C

Cat. no.	Description	D _o [mm]	S [mm]	L [m]	Weight [kg]	QTY [m]
76316700	in coils 16x2	16	2	200	17.73	200
76316800	in coils 16x2	16	2	240	21.17	240
76316900	in coils 16x2	16	2	600	53.02	600
76317700	in coils 17x2	17	2	200	19.01	200
76318700	in coils 18x2	18	2	200	20,17	200
76318800	in coils 18x2	18	2	240	24,31	240
76318900	in coils 18x2	18	2	600	60,51	600
76320900	in coils 20x2	20	2	500	56.85	500

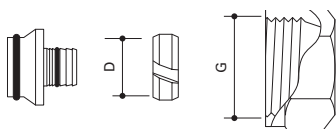


ff-therm® / profitherm®

**ff-therm threaded connector, nickel-plated**

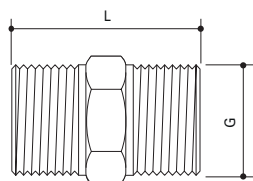
Female thread connection coupling according to DIN EN ISO 228 and Eurocone made of brass with nickel-plated union nut to connect ff-therm pipes to devices, fittings and shaped parts featuring Eurocone.

Cat. no.	Description	D [mm]	G ["]	Weight [kg]	QTY [pcs]
72812715	Eurocone 12x2-G3/4	12	3/4	0.068	10
72814715	Eurocone 14x2-G3/4	14	3/4	0.074	10
72816715	Eurocone 16x2-G3/4	16	3/4	0.071	10
72817715	Eurocone 17x2-G3/4	17	3/4	0.062	2
72818715	Eurocone 18x2-G3/4	18	3/4	0.062	2
72820715	Eurocone 20x2-G3/4	20	3/4	0.068	2

**alpex double nipple**

Male thread connection coupling according to DIN EN ISO 228 made of nickel-plated brass to connect alpex threaded connector with Eurocone.

Cat. no.	Description	G ["]	L [mm]	SW [mm]	Weight [kg]	QTY [pcs]
72800100	Eurocone G3/4-G3/4	3/4	27	26	0.059	25



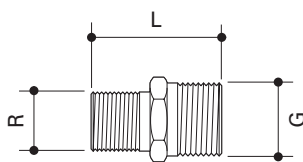
ff-therm® / profitherm®



alpex connection for compression coupling

Male thread connection coupling according to DIN EN 10226-1 and DIN EN ISO 228 made of nickel-plated brass to connect alpex compression coupling with Eurocone to fittings.

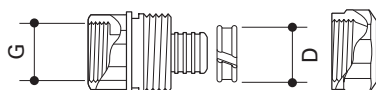
Cat. no.	Description	R ["]	G ["]	L [mm]	Weight [kg]	QTY [pcs]
72800712	Eurocone R1/2-G3/4	1/2	3/4	34	0.063	25



ff-therm threaded connector

Female thread transition coupling according to DIN EN ISO 228 made of brass for heating and cooling system installations.

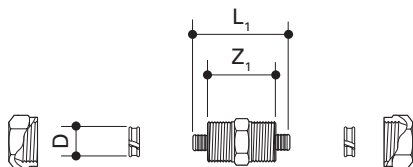
Cat. no.	Description	D [mm]	G ["]	Weight [kg]	QTY [pcs]
71825710	for PE-Xa pipe 25x2.3-G3/4	25	3/4	0.182	10



ff-therm coupling

Connection coupling made of brass to connect ff-therm pipes for heating and cooling system installations.

Cat. no.	Description	D [mm]	L ₁ [mm]	Z ₁ [mm]	Weight [kg]	QTY [pcs]
71825100	for PE-Xa pipe 25-25	25	56	33	0.260	10



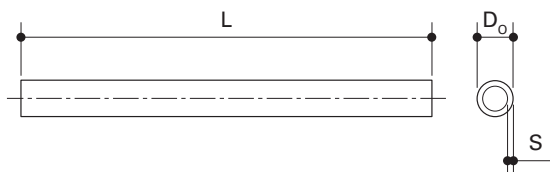
ff-therm® / profitherm®

**profitherm AL multilayer composite pipe**

Multilayer composite pipe, colour: grey, in coils made of polyethylene of raised temperature resistance (PE-RT) as inner surface, longitudinally butt-welded aluminium pipe, and polyethylene of raised temperature resistance (PE-RT) as outer surface for heating and cooling system installations.

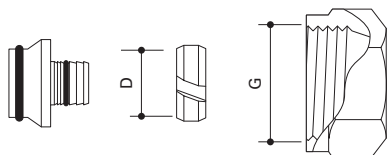
- Maximum constant operating pressure: 6 bar
- Maximum continuous operating temperature: 70 °C

Cat. no.	Description	D _o [mm]	S [mm]	L [m]	Weight [kg]	QTY [m]
73516400	in coils 16x2	16	2	100	9.8	100
73516800	in coils 16x2	16	2	240	23.52	240
73516900	in coils 16x2	16	2	600	58.80	600

**alpex compression coupling**

Female compression coupling according to DIN EN ISO 228 and Eurocone made of brass to connect alpex and turatec pipes to devices, fittings and shaped parts featuring Eurocone.

Cat. no.	Description	D [mm]	G ["]	Weight [kg]	QTY [pcs]
74816103	Eurocone 16-G3/4 MS	16	3/4	0,070	10

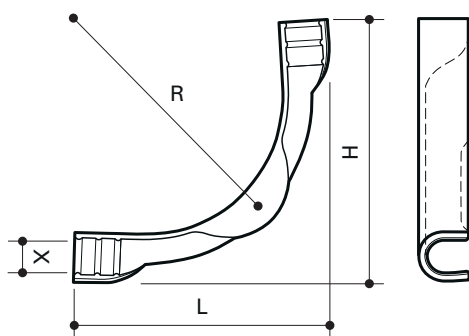


ff-therm® / profitherm®

**profitherm bend support**

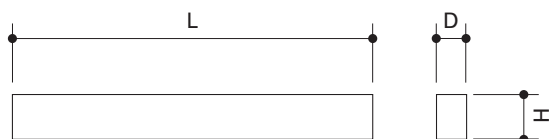
Bend support made of plastic to redirect ff-therm and profitherm AL pipes.

Cat. no.	Description	L [mm]	H [mm]	R [mm]	X [mm]	Weight [kg]	QTY [pcs]
71900102	16-18 mm	110	110	90	17	0.033	50
71900142	20 mm	144	144	100	20	0.063	50

**profitherm edge insulation strip**

Edge insulation strip made of PE foam with adhesive to decouple the heated screed from the building mass. Offering the option of moving 5 mm required according to EN 1264 for heated screed and also preventing sound and heat bridges.

Cat. no.	Description	D [mm]	H [mm]	L [m]	Weight [kg]	QTY [m]
71900111	8x150 mm	8	150	25	0.825	25

**profitherm expansion joint profile**

Edge insulation strip made of PE foam with film to decouple the screed in the area of the expansion joints.

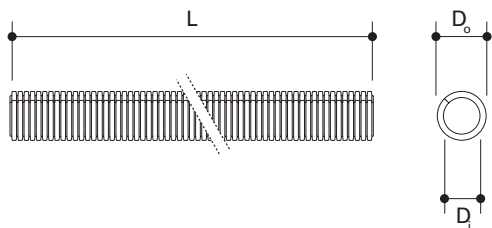
Cat. no.	Description	D [mm]	H [mm]	L [mm]	Weight [kg]	QTY [pcs]
71950112	10/50	10	50	1200	0.100	40

ff-therm® / profitherm®

**profitherm protective sheathing**

Protective sheathing made of PE-HD for expansion or movement joints in screed.

Cat. no.	Description	D _o [mm]	D _i [mm]	L [mm]	Weight [kg]	QTY [pcs]
71900134	for 16x2	24	19	400	0.029	50



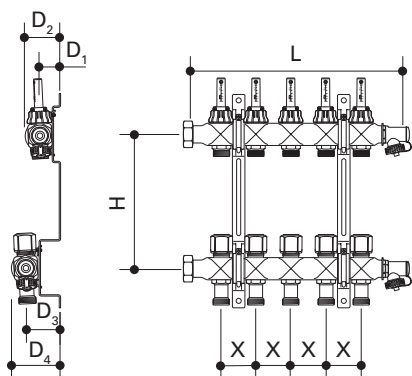
ff-therm® / profitherm®

**profitherm heating circuit manifold**

Heating circuit manifold made of stainless steel with integrated valves and connection on the left, flat-sealing. Design with adjustable flow rate indicators and valves for profitherm actuators, with filling and discharge devices.

- Heating circuit connections: G 3/4" Eurocone
- Heating circuit spacing: 50 mm

Cat. no.	Description	L [mm]	X [mm]	H [mm]	D ₁ [mm]	D ₂ [mm]	D ₃ [mm]	D ₄ [mm]	Weight [kg]	QTY [pcs]
79503002	with topmeter 2 circuits - G3/4	168	50	200	32	54	52	74	1.820	1
79503003	with topmeter 3 circuits - G3/4	218	50	200	32	54	52	74	2.210	1
79503004	with topmeter 4 circuits - G3/4	268	50	200	32	54	52	74	2.610	1
79503005	with topmeter 5 circuits - G3/4	318	50	200	32	54	52	74	2.990	1
79503006	with topmeter 6 circuits - G3/4	368	50	200	32	54	52	74	3.380	1
79503007	with topmeter 7 circuits - G3/4	418	50	200	32	54	52	74	3.780	1
79503008	with topmeter 8 circuits - G3/4	468	50	200	32	54	52	74	4.180	1
79503009	with topmeter 9 circuits - G3/4	518	50	200	32	54	52	74	5.120	1
79503010	with topmeter 10 circuits - G3/4	568	50	200	32	54	52	74	5.571	1
79503011	with topmeter 11 circuits - G3/4	618	50	200	32	54	52	74	6.009	1
79503012	with topmeter 12 circuits - G3/4	668	50	200	32	54	52	74	6.360	1



ff-therm® / profitherm®

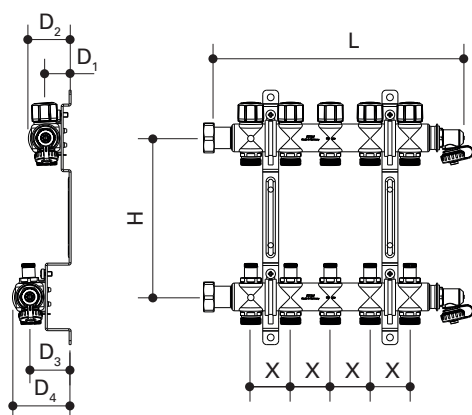


profitherm heating circuit manifold

Heating circuit manifold made of stainless steel with integrated valves and connection on the left, flat-sealing. Design with fine-control valves and valves for profitherm actuators, with filling and discharge devices.

- Heating circuit connections: G 3/4" Eurocone
- Heating circuit spacing: 50 mm

Cat. no.	Description	L [mm]	X [mm]	H [mm]	D ₁ [mm]	D ₂ [mm]	D ₃ [mm]	D ₄ [mm]	Weight [kg]	QTY [pcs]
79503102	with control valve 2 circuits - G3/4	168	50	200	32	54	52	74	1.760	1
79503103	with control valve 3 circuits - G3/4	218	50	200	32	54	52	74	2.130	1
79503104	with control valve 4 circuits - G3/4	268	50	200	32	54	52	74	2.510	1
79503105	with control valve 5 circuits - G3/4	318	50	200	32	54	52	74	2.880	1
79503106	with control valve 6 circuits - G3/4	368	50	200	32	54	52	74	3.280	1
79503107	with control valve 7 circuits - G3/4	418	50	200	32	54	52	74	3.650	1
79503108	with control valve 8 circuits - G3/4	468	50	200	32	54	52	74	4.030	1
79503109	with control valve 9 circuits - G3/4	518	50	200	32	54	52	74	4.390	1
79503110	with control valve 10 circuits - G3/4	568	50	200	32	54	52	74	4.770	1
79503111	with control valve 11 circuits - G3/4	618	50	200	32	54	52	74	5.170	1
79503112	with control valve 12 circuits - G3/4	668	50	200	32	54	52	74	5.940	1



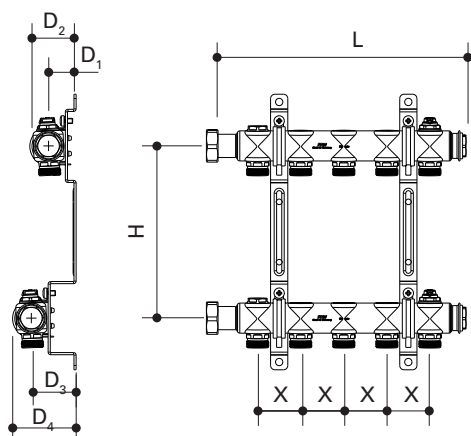
ff-therm® / profitherm®

**profitherm heating circuit manifold**

Heating circuit manifold made of stainless steel without valves, with connection on the left, flat-sealing, with venting devices.

- Heating circuit connections: G 3/4" Eurocone
- Heating circuit spacing: 50 mm

Cat. no.	Description	L [mm]	X [mm]	H [mm]	D ₁ [mm]	D ₂ [mm]	D ₃ [mm]	D ₄ [mm]	Weight [kg]	QTY [pcs]
79503202	2 circuits - G3/4	142	50	200	32	54	52	74	0.950	1
79503203	3 circuits - G3/4	192	50	200	32	54	52	74	1.380	1
79503204	4 circuits - G3/4	242	50	200	32	54	52	74	1.590	1
79503205	5 circuits - G3/4	292	50	200	32	54	52	74	1.830	1
79503206	6 circuits - G3/4	342	50	200	32	54	52	74	2.070	1
79503207	7 circuits - G3/4	392	50	200	32	54	52	74	2.310	1
79503208	8 circuits - G3/4	442	50	200	32	54	52	74	2.520	1
79503209	9 circuits - G3/4	492	50	200	32	54	52	74	2.730	1
79503210	10 circuits - G3/4	542	50	200	32	54	52	74	2.970	1
79503211	11 circuits - G3/4	592	50	200	32	54	52	74	3.140	1
79503212	12 circuits - G3/4	642	50	200	32	54	52	74	3.420	1



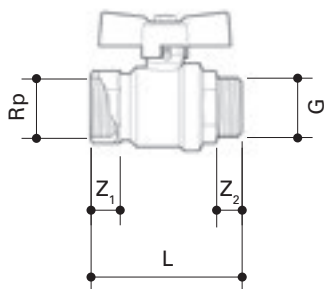
ff-therm® / profitherm®



profitherm ball valve

Ball valve for profitherm manifold to shut off supply and return pipes.

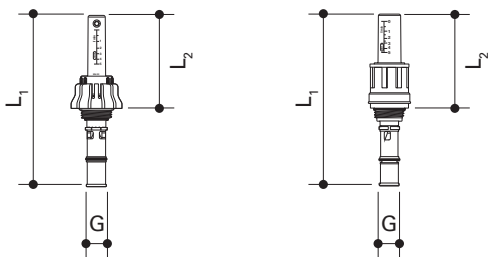
Cat. no.	Description	Rp ["]	G ["]	L [mm]	Z ₁ [mm]	Z ₂ [mm]	Weight [kg]	QTY [pcs]
79501130	FT1-MT1	1	1	73	19	21	0.360	10



profitherm flow rate meter

Flow rate meter as a replacement for heating circuit manifolds with adjustable flow rate indicators.

Cat. no.	Description	L ₁ [mm]	L ₂ [mm]	G ["]	Weight [kg]	QTY [pcs]
79506063	with interlocking mechanism until 06/2016	125	74	1/2	0.079	1
79506064	with interlocking mechanism from 06/2016	120	69	1/2	0.034	1



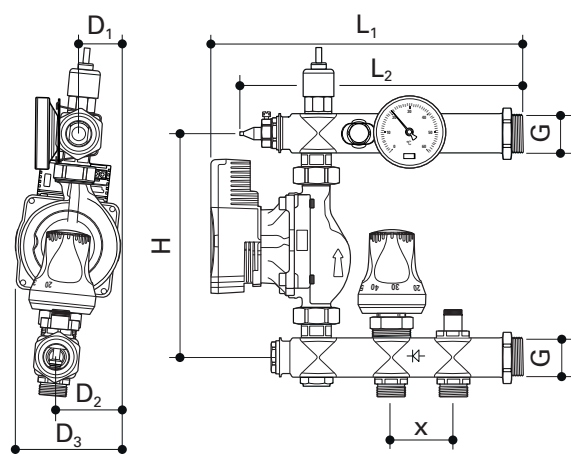
ff-therm® / profitherm®



profitherm fixed-value mixing unit with pump

Compact control station for constant flow temperature regulation of radiant heating (fixed-value temperature regulation). The regulation set is intended for the use in a manifold cabinet and is installed directly at the heating circuit manifold.

Cat. no.	Description	G ["]	L ₁ [mm]	L ₂ [mm]	X [mm]	H [mm]	D ₁ [mm]	D ₂ [mm]	D ₃ [mm]	Weight [kg]	QTY [pcs]
79503230	flat-sealing G1	1	296	264	55	200	32	52	92	4.50	1

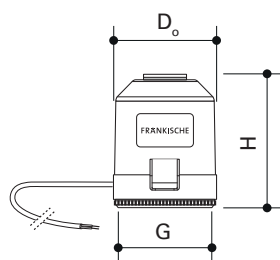


profitherm actuator

Actuator for the profitherm heating circuit manifold for room-specific regulation in connection with profitherm room thermostat and profitherm base station.

- 1 m cable length

Cat. no.	Description	G [M]	D _o [mm]	H [mm]	Weight [kg]	QTY [pcs]
79506027	normally closed 230 V	30x1.5	42	63	0.130	1
79506028	normally closed 24 V	30x1.5	42	63	0.130	1

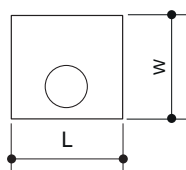


ff-therm® / profitherm®

**profitherm room thermostat**

Room thermostat for room-specific regulation in connection with profitherm actuator and profitherm base station.

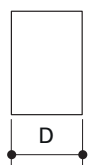
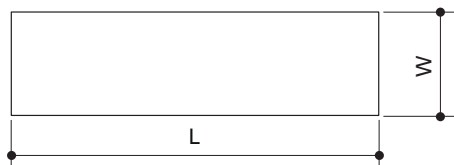
Cat. no.	Description	L [mm]	W [mm]	D [mm]	Weight [kg]	QTY [pcs]
79506037	control 230 V analogue	86	86	30	0.115	1
79506062	standard 24 V analogue	86	86	30	0.115	1

**profitherm base station**

Base station standard for room-specific regulation in connection with profitherm actuator and profitherm room thermostat.

- Connection: 24 V and 230 V
- Maximum number of room thermostats: 6
- Maximum number of actuators: 15

Cat. no.	Description	L [mm]	W [mm]	D [mm]	Weight [kg]	QTY [pcs]
79506038	standard 6 zones 24 V + 230 V	327	94	56	0.56	1



ff-therm® / profitherm®



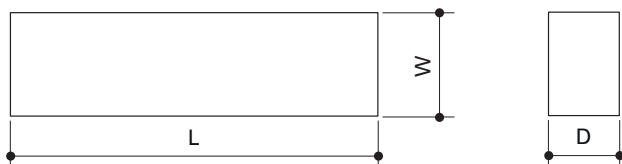
profitherm base station

Base station standard plus for room-specific regulation in connection with profitherm actuator and profitherm room thermostat.

Additional connections for pump control and a temperature limiter or dew point sensor.

- Connection: 230 V
- Maximum number of room thermostats: 6
- Maximum number of actuators: 15

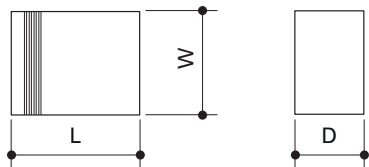
Cat. no.	Description	L [mm]	W [mm]	D [mm]	Weight [kg]	QTY [pcs]
79506040	standard plus 6 zones 230 V	327	94	56	0.676	1
79506042	standard plus 6 zones 24 V	327	94	56	0.676	1



profitherm transformer

Transformer from 230 V to 24 V for base stations with 24 V.

Cat. no.	Description	L [mm]	W [mm]	D [mm]	Weight [kg]	QTY [pcs]
79506044	for base 24 V	70	80	70	0.831	1





©www.adbestock.de

FRÄNKISCHE

FRÄNKISCHE Rohrwerke Gebr. Kirchner GmbH & Co. KG | Hellinger Str. 1 | 97486 Königsberg/Germany
Phone +49 9525 88-2200 | Fax +49 9525 88-92200 | marketing@fraenkische.de | www.fraenkische.com

EN.70079/2.01.21 | Subject to change without notice | Cat. no. 5000-1528-00 | 11/2021

